

125 - 200

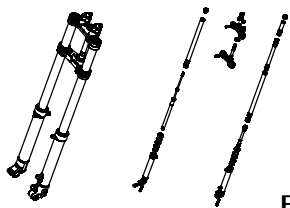
CATALOGO PARTI DI RICAMBIO
 CATALOGUE OF SPARE PARTS
 CATALOGUE PIECES DE RECHANGE
 ERSATZTEILKATALOG
 CATALOGO DE PIEZAS DE REPUESTO

FOTO O DISEGNO DEL
 MOTOCICLO REV-3 2005
 125-200cc

CODICE MOTOCICLO	38-66860-0-00
MOTORCYCLE COD.	125 cc
REF. CICLO A VITESSE	
FAHRENG CODE	38-66840-0-00
CODIGO MOTOCICLO	200 cc

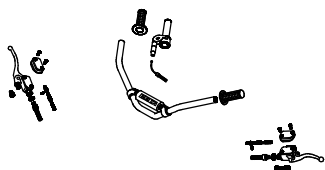
DAL N. TELAIO	ZD3T3000040000001
FROM FRAME N.	125 cc
DE NUMERO CADRE	
AB FAHRGESTELNUMMER	ZD3B9000040010809
DESDE NUMERO CHASSIS	200 cc

Forcella
Front fork
Fourche avant
Gabel
Horquilla



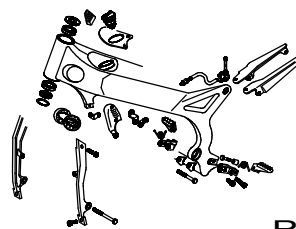
PAG. 3

Manubrio
Handlebar
Guidon
Manillar
Manillar



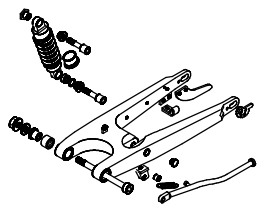
PAG. 4

Telaio
Frame
Cadre
Fahrgestell
Chassis



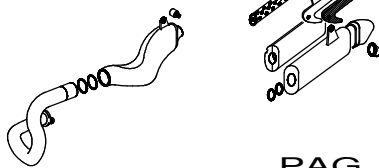
PAG. 5

Forcellone
Swinging arm
Bras oscillant
Schwingarm
Basculante



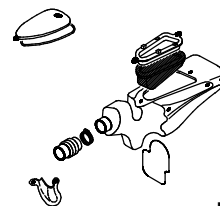
PAG. 6

Silenziatore e Marmitta
Silencer and muffler
Silencieux et pot d'ecchapp.
Auspuff
Silenciador



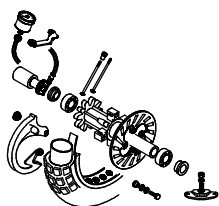
PAG. 7

Filtro e scatola aspirazione
Filter and injection box
Filtre et
Luftfilter und filterkasten
Filtro y escatula aspiracion



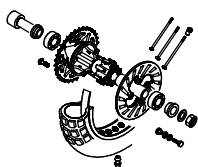
PAG. 8

Ruota anteriore
Front wheel
Roue avant
Vorderrad
Rueda delantera



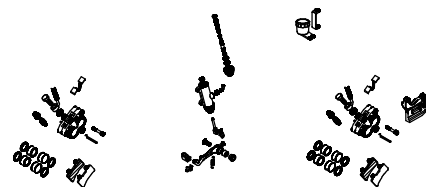
PAG. 9

Ruota posteriore
Rear wheel
Roue arriere
Hinterrad
Rueda trasera



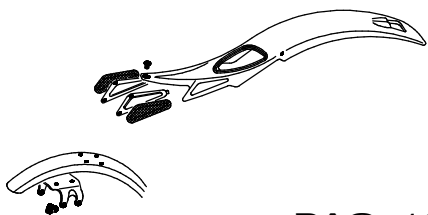
PAG. 10

Freni
Brakes
Freins
Bremsen
Frenos



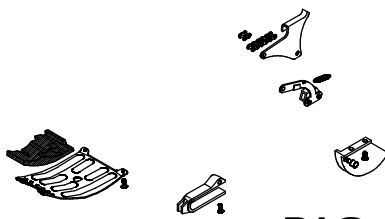
PAG. 11

Parafanghi
Fenders
Garde-boues
Kotflügel
Guardabarras



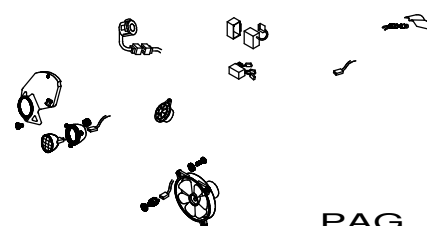
PAG. 12

Varie
Various
Divers
Teile
Varios



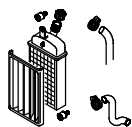
PAG. 13

Impianto elettrico
Electrical system
Installation électrique
Elektrische anlage
Instalacion electrica



PAG. 14

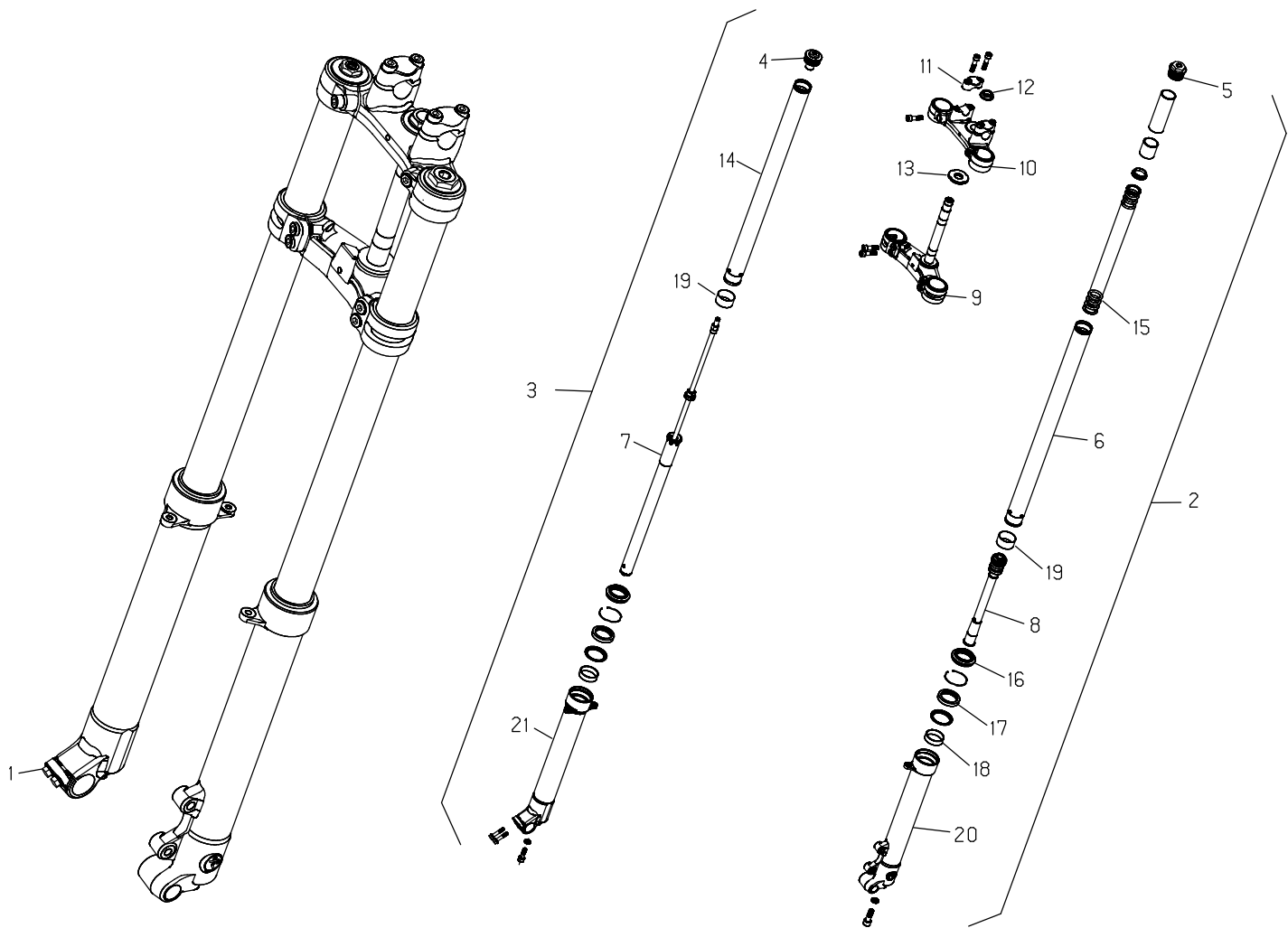
Radiatore
Radiator
Radiator
Kühler
Radiador



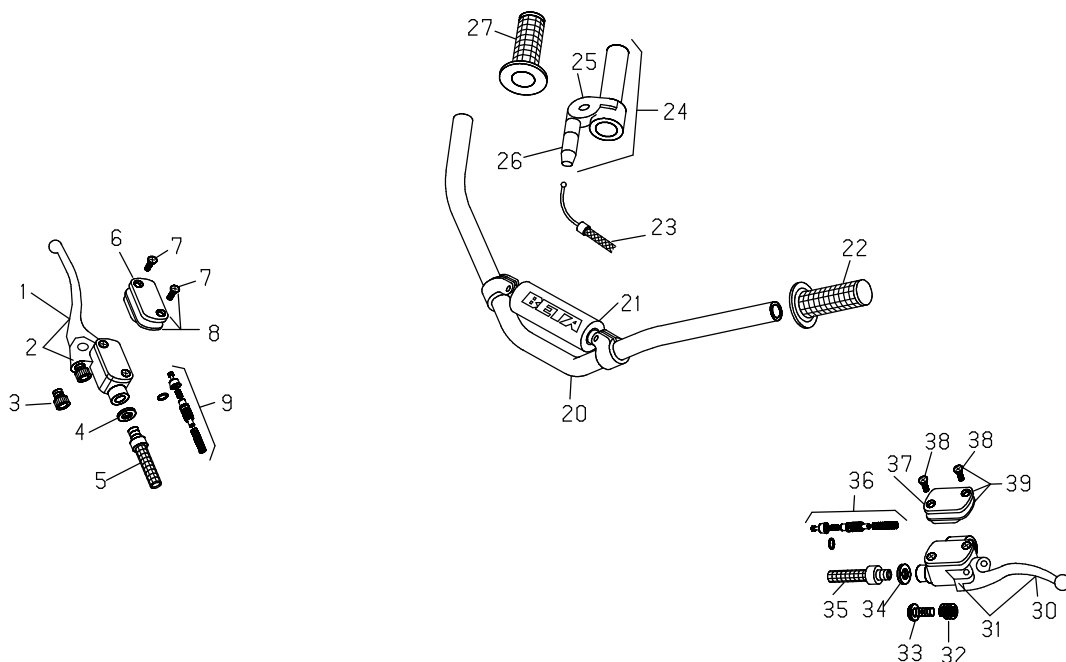
PAG. 15

Particolari non figuranti
Not mentioned particulars
Particuliers pas mentionnes
Nicht verzeichnete teile
Particulares no figurados

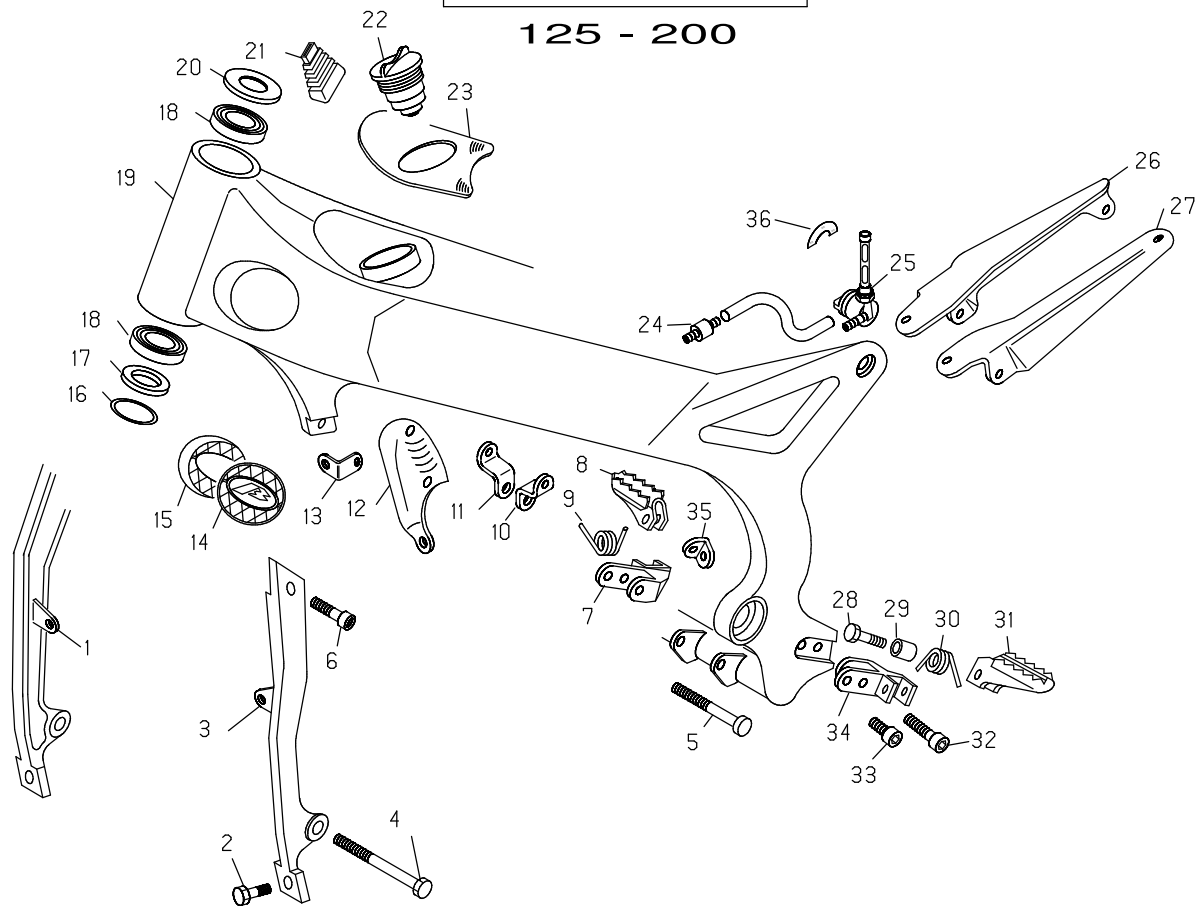
PAG. 16



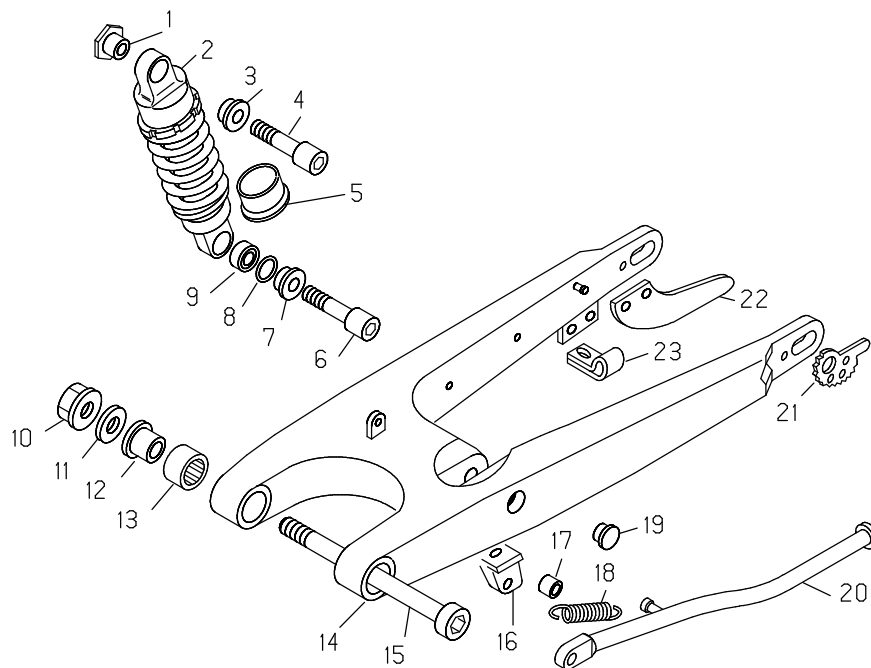
Pos	Number	Descrizione	Description	Description	Beschreibung	Descripción
1	15-08047	Forcella REV-3 '04	Front fork REV-3 '04	Fourche	Gabel REV-3 '04	Horquilla compl.
2	16-00974	Gamba forcella sx completa	Complete left fork leg	Jante gauche compl. fourche	Gabelbein li.	Brazo horquilla izquierdo compl.
3	16-00975	Gamba forcella dx completa	Complete right fork leg	Jante droit compl. Fourche	Standrohr re	Brazo horquilla derecho compl.
4	29-01962	Tappo dx completo forcella	RH fork plug	Bouchon droit comp.fourche	re Gabel Stopfen	Tapon derecho compl. Horquilla
5	29-01972	Tappo sx completo forcella	LH fork plug	Bouchon gauche comp.fourche	li Gabel Stopfen	Tapon izquierdo compl. Horquilla
6	29-40412	Tubo sx completo forcella	LH compl. Fork tube	Tube compl. Gauche fourche	Gabelstandrohr links	Tubo izquierdo compl. Horquilla
7	12-32957	Cartuccia idraulica forcella	Hdraulic fork spares	Cartouche hydraulique fourche	Hydraulischer Gabeldaempfer	Cartucho hidraulico horquilla
8	12-32968	Cartuccia meccanica forcella	Kit mechanic spares fork	Cartouche mecanique fourche	Gabeldaempfer	Cartucho mecanica horquilla
9	12-09737-0-57	Crociera con cannotto	Lowe yoke	Croisiere a/tube fourche	Untere Gabelbrücke	Pletina con tubo
10	29-50178-0-57	Testata forcella	Fork head	Tete fourche	Obere gabelbrueke	Culata horquilla
11	12-08252	Cavallo focella	Handlebar bracket	Bague fourche	Lenkerböcke Gabel	Abrazadera horquilla
12	11-70071	Bullone per cannotto forcella	Special bolt	Boulon pour jeu inf. Fourche	Mutter Lenkschaft	Tornillo horquilla
13	16-20611	Ghiera cannotto forcella	Steering collar	Collier tete inf. Fourche	Mutter Steuerkopf	Ghiera horquilla
14	29-40449	Tubo dx completo forcella	RH compl. Fork tube	Tube compl. Droit fourche	Gabelstandrohr rechts	Tubo derecho compl. Horquilla
15	22-52702	Molla forcella	Fork spring	Ressort fourche	Gabel Feder	Muelle horquilla
16	10-41470	Anello parapolvere forcella	Front fork ring	Joint poussiere fourche	Staubkappe	Junta parapolvere horquilla
17	10-41461	Anello di tenuta forcella	Fork oil seal	Bague d'etancheite fourche	Dichtring RSU-Gabel	Junta horquilla
18	13-99940	D.U. gamba forcella	D.U. fork slaider	Bague jambe de fourche	D.U. Gleitrohr	Casquillo brazo horquilla
19	13-99930	D.U. tubo forcella	D.U. fork tube	Bague tube de fourche	D.U. Gabelrohr	Casquillo tubo horquilla
20	16-18368-0-57	Gamba forcella sx nuda	Left fork slider	Jante gauche fourche	Gabelbein li.	Brazo horquilla izquierdo
21	16-18638-0-57	Gamba forcella dx nuda	Right fork slider	Jante droit fouche	Gabelbein rechts	Brazo horquilla derecho



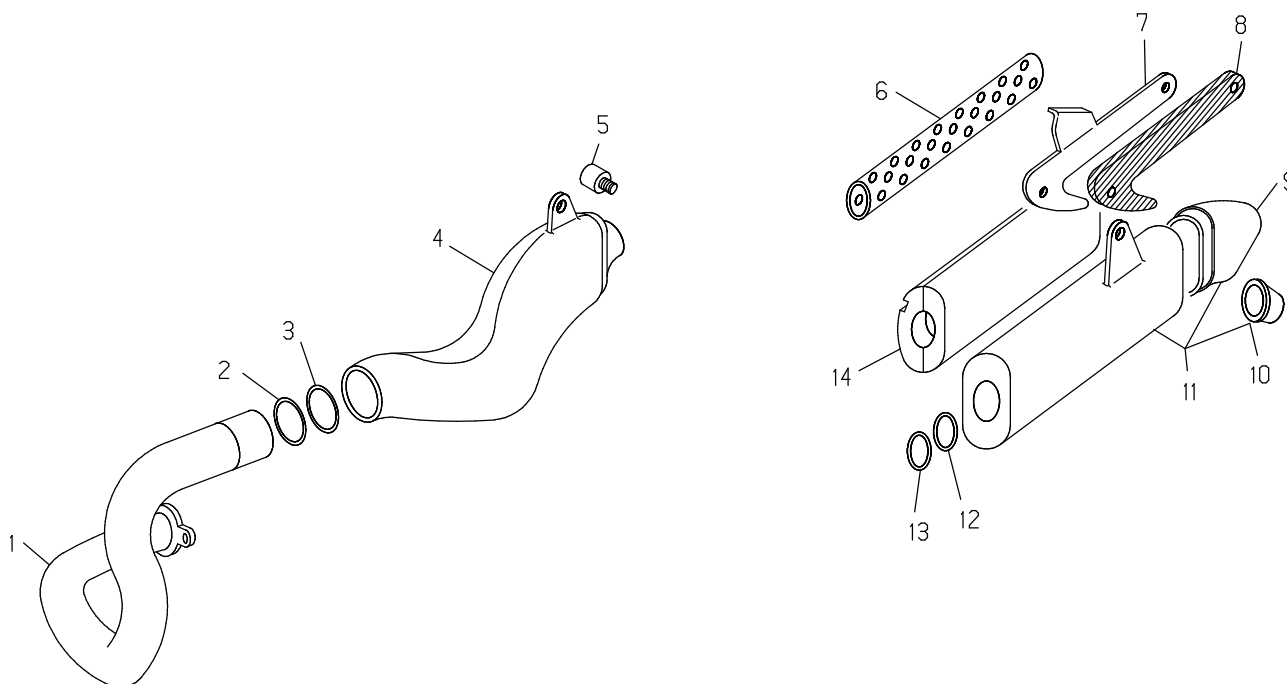
Pos	Number	Descrizione	Description	Description	Beschreibung	Descripción
1	21-27101	Leva freno anter.nuda	Front brake lever only	Levier frein avant nue	Bremshebel	Maneta freno
2	21-02052	Leva com. freno anter. AJP	Front brake lever	Levier complet frein avant AJP	Bremsarmatur	Bomba freno delantero
3	31-96806	Vite registro leva freno anter.	Front brake lever screw	Vis enregistrement levier frein	Schraube	Tornillo regulacion Bomba freno
4	16-50510	Guarnizione 10x15x1 in rame	Gasket 10x15x1 copper	Joint 10x15x1 cuivre	Dichtung 10x15x1 Kupfer	Junta 10.15.1 (cobre)
5	29-09114	Tubo freno anteriore x AJP	Front brake hose	Tube frein avant pour AJP	Bremsleitung	Tubo freno delantero
6	12-68105	Coperchio serbatoio olio	Oil tank cover	Couvercle reservoir huile	Kuppl. Pumpe Deckel	Tapa deposito aceite
7	31-23400-0-52	Vite coperchio serbatoio olio	Screw	Vis couvercle reservoir huile	Schraube	Tornillo tapa deposito aceite
8	20-05072	Kit serbatoio olio pompa	Oil seal cover for pump	Jeu reservoir huile pompe	Reparatursatz Bremsarmatur vo/	deugo deposito bomba aceite
9	20-05081	Kit pistoncino pompa	Piston kit for pump	Kit petit piston pompe	Reparatursatz Brems/Kupplungsarmatur	deugopiston bomba
20	22-20459	Manubrio	Handlebar	Guidon	Lenker	Manillar
21	16-23593-0-57	Gomma protezione manubrio	Handlebar rubber	Caoutchouc protection guidon	Lenkerschutz	Goma proteccion manillar
22	22-18531	Manopole (coppia)	Grips (pair)	Poignees (couple)	Lenker Griffe	Puños goma (juego)
23	29-14791-0-52	Trasmissione gas	Throttle cable	Cable gas	Gaszug	Cable transmision gas
24	12-55091	Comando gas	Twist grip	Commande gaz	Gasgriff	Mando gas
25	12-55960	Coperchietto comando gas	Twist grip cover	Petit couvercle commande gaz	Decke Gasgriff Trial	Tapa mando gas tr.
26	16-34080	Gommino protezione registro	Throttle cable grommet	Caout. Prot. Poignee gaz	Schutztülle	Goma prot. mando gas domino
27	22-18531	Manopole (coppia)	Grips (pair)	Poignees (couple)	Lenker Griffe	Puños goma (juego)
30	21-27081	Leva com.friz.nuda	Clutch lever only	Levier complet embrayage nue	Kupplungshebel	Maneta embrague
31	21-02421	Leva com. frizione AJP	Clutch lever	Levier complet embrayage AJP	Kupplungsarmatur	Bomba embrague ajp
32	22-38700	Molla registro leva freno ant.	Front brake lever adjust spring	Ressort enregistrement levier	Feder	Muelle regul. bomba freno ajp
33	31-88600	Vite registro leva freno anter.	Front brake lever screw	Vis enregistrement levier frein	Schraube	Tornillo regulacion Bomba freno
34	16-50510	Guarnizione 10x15x1 in rame	Gasket 10x15x1 copper	Joint 10x15x1 cuivre	Dichtung 10x15x1 Kupfer	Junta 10.15.1 (cobre)
35	29-09090	Tubo frizione Idraulica x AJP	Clutch hose	Tube embrayage pour AJP	Kupplungsleitung	Tubo embrague hidraulico ajp
36	20-05081	Kit pistoncino pompa	Piston kit for pump	Kit petit piston pompe	Reparatursatz Brems/Kupplungsarmatur	deugopiston bomba
37	12-68105	Coperchio serbatoio olio	Oil tank cover	Couvercle reservoir huile	Kuppl. Pumpe Deckel	Tapa deposito aceite
38	31-23400-0-52	Vite coperchio serbatoio olio	Screw	Vis couvercle reservoir huile	Schraube	Tornillo tapa deposito aceite
39	20-05072	Kit serbatoio olio pompa	Oil seal cover for pump	Jeu reservoir huile pompe	Reparatursatz Bremsarmatur vo/	deugo deposito bomba aceite



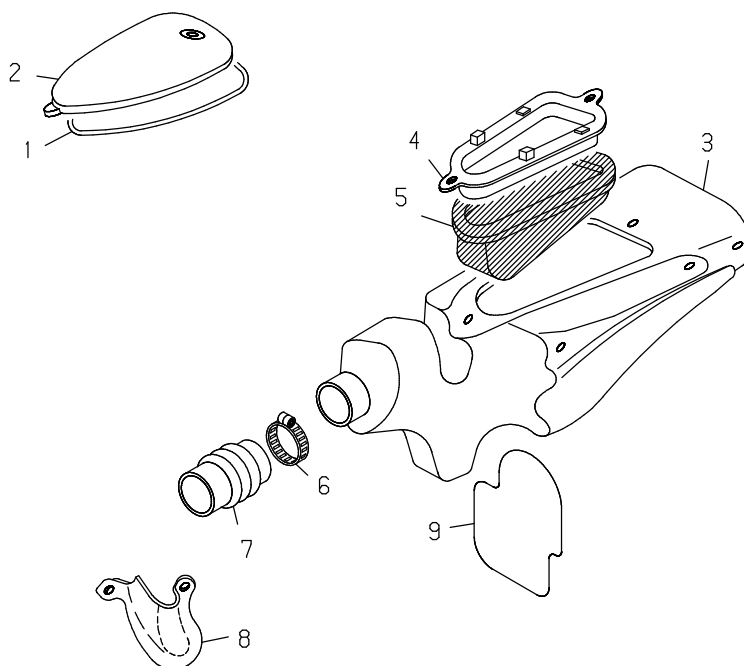
Pos	Number	Descrizione	Description	Description	Beschreibung	Descripción
1	29-11332	Telaio collegamento dx	RH connecting frame rod	Cadre connexion droit	Strebe Rahmen re	Subchasis dch.
2	11-54521	Bullone 8x16 rs c/rond. ch10	Bolt 8x16 ch10	Boulon 8x16 rs a/rondelle ch10	Schraube 8x16 ch 10	Tornillo 8.16 rs c/arandela
3	29-11342	Telaio collegamento sx	LH connecting frame rod	Cadre connexion gauche	Strebe Rahmen li	Subchasis izq.
4	11-63960	Bullone 10x140 pf ch17 rs	Bolt 10x140	Boulon 10x140 pf ch17 rs	Bolzen 10x140	Tornillo 10.140 pf ch 17 rs
5	31-65625	Vite brugola 10x100	Screw 10x100	Vis a tete a six pans 10x100	Schraube 10x100	Tornillo tcce 10x100
6	31-63881	Vite brugola 8x16 bassa	Screw 8x16	Vis a tete a six pans 8x16 bas	Schraube 8x16	Tornillo allen tcce 8.16
7	28-99292	Supporto pedana p/piedi dx	RH footrest bracket	Support repose-pieds droit	Rastenhalter re	Soporte estribera derecho
8	25-32522	Pedana poggia piedi dx	RH footrest	Repose-pieds droit	Fußbraste re.	Estribera dchc
9	22-62010	Molla pedana dx	Footrest spring	Ressort repose-pied droit	Rasten/Feder re.	Muelle derch. Estribera
10	28-97415	Staffa supporto cilindro	Cylinder bracket	Etrier support cylindre	Strebe Zylinder-Rahmen li/re	Soporte culata/cilindro
11	28-97415	Staffa supporto cilindro	Cylinder bracket	Etrier support cylindre	Strebe Zylinder-Rahmen li/re	Soporte culata/cilindro
12	28-95327-0-59	Supporto bobina	Coil bracket	Support bobine	Zündspulenschutz	Soporte bobina
13	28-97019	Staffa supporto attacco bobina	Plait, coil bracket	Etrier superieur fixation bobine	Haelterzuendspule	Soporte bobina
14	16-44561-0-59	Griglia presa aria sx telaio	Frame lf grill	Grille prise d'air gauche cadre	Rahmendeckel li. REV-3	Rejilla toma aire sx chasis
15	16-44560-0-59	Griglia presa aria dx telaio	Frame rh grill	Grille prise d'air droite cadre	Rahmendeckel re. REV-3	Rejilla toma aire dx chasis
16	10-66860	Anello OR 34,60 x2,62	OR 34,60x2,62	OR 34,60x2,62	Wedi 34,60x2,62	Junta torica 34,60x2,62
17	10-67390	Anello parapolvere forcella	F/fork dust ring	Cache poussiere fourche	F/Gabel Aluminium Ring	Junta guardapolvo direccion
18	12-98300	Cuscinetto conico 20X42X15	Conical bearing 20x42x15	Roulement conique 20x42x15	Lager 20x42x15	Cojinete conico 20.42.15
19	29-11482	Telaio anteriore	Front frame	Cadre avant	Gutschrift Rahmen	Chassis
20	28-17750	Scodellino parapolvere forcella	Retainer upper fork	Cuvette pour fourche	Lagerschale oben	Arandela guardapolvo sup.horq.
21	16-21910-0-59	Gommino passafili	Gulding-slit rubber	Pastilles en caoutchouc x fils	Kabelführung	Goma pasacables
22	29-10512-8	Tappo serb. benzina c/valvola	Fuel tank plug w/ breather valve	Bouchon reservoir essence	Tankdeckel	Tapon gasolina con valvola
23	12-88514-1-59	Copriserbatoio	Tank cover	Cache reservoir	Tankblende	Cubredeposito
24	15-24651	Filtro benzina	Gasoline filter	Filtre essence	Benzinfilter	Filtro gasolina
25	27-79951	Rubinetto miscela	Petcock	Robinet melange	Benzinhahn	Grifo gasolina
26	28-97018	Staffa sup. dx scatola filtro	Plait, air filter box	Etrier superieur boite de filtre	Rahmenheck rechts	Placa sop. caja filtro dx
27	28-97017	Staffa sup. sx scatola filtro	Plait, air filter box	Etrier superieur boite de filtre	Rahmenheck links	Placa sop. caja filtro sx
28	11-55700	Bullone 8x45 pf ch13 rs	Bolt 8x45	Boulon 8x45 pf ch13 rs	Bolzen 8x45	Tornillo 8.45 pf ch 13 rs
29	13-46530	Distanziale 8x12x17	Spacer 8x12x17	Entretoise 8x12x17	Distanz 8x12x17	Distanciadador 8.12.17
30	22-62020	Molla pedana sx	Footrest spring	Ressort repose-pied gauche	Rasten/Feder li.	Muelle izqui. Estribera
31	25-32532	Pedana poggia piedi sx	LH footrest	Repose-pieds gauche	Fußbraste li.	Estribera izq.
32	31-63890	Vite brugola 8x20	Screw 8x20	Vis a tete a six pans 8x20	Schraube 8x20	Tornillo allen tcce 8.20
33	31-63910	Vite brugola 8x30	Screw 8x30	Vis a tete a six pans 8x30	Schraube 8x30	Tornillo allen tcce 8.30
34	28-99302	Supporto pedana p/piedi sx	LH footrest bracket	Support repose-pieds gauche	Rastenhalter li	Soporte estribera izquierdo
35	28-97358	Staffa	Bracket	Etrier	Klemme	Soporte
36	29-02021-1	Targhetta posizione rubinetto	Tap plate	Plaqueette robinet	Hahnposition Schild	Tarjeta posicion robinete



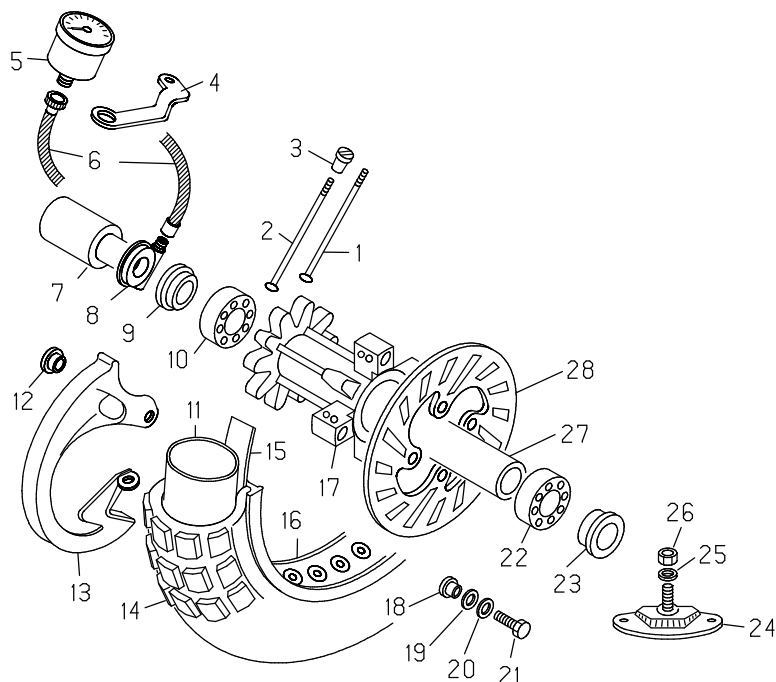
Pos	Number	Descrizione	Description	Description	Beschreibung	Descripción
1	13-21847	Dado spec. ammortizzatore	Nut special shoch absorber	Ecrou spec. amortisseur	Mutter Federbeinaufnahme	Tuerca especial amort.
2	10-03718	Ammortizzatore	Shock absorber	Amortisseur	Stossdämpfer	Amortiguador
3	11-28811	Boccola per snodo sferico	Bush spherical bearing	Douille pour joint a rotule	Buchse	Casquillo para rotula amort.
4	11-65022	Bullone spec. Ammortizzatore	Special bolt shock absorber	Boulon spec. Ammortisseur	Schraube Stossdämpferbefestig.	Tornillo esp. Amortiguador
5	15-39100	Fodero copristelo ammortizz.	Leg protection	Train flottage couvre-tige amm.	Federteller Stossdämpfer	Protector amortiguador
6	11-65022	Bullone spec. Ammortizzatore	Special bolt shock absorber	Boulon spec. Ammortisseur	Schraube Stossdämpferbefestig.	Tornillo esp. Amortiguador
7	11-28813	Boccola per snodo sferico	Bush spherical bearing	Douille pour joint a rotule	Hülse Federbein oben	Casquillo para rotula amort
8	10-67361	Anello OR ammortizzatore	Swinging arm OR	OR amortisseur	O-Ring	Junta torica amortiguador
9	28-93251	Snodo sferico ammortizzatore	Shock absorber spheric junction	Joint a rotule amortisseur	Kugelgelenk	Rotula esferica amortiguador
10	13-29510	Dado spec. 16x1,25	Special nut 16x1,25	Ecrou spec. 16x1,25	Schwinge spezial Mutter	Tuerca esp. 16.1,25 basc.
11	27-67500-0-60	Rondella spess. 16x25x0,6	Washer 16x25x0,6	Rondelle epaisseur 16x25x0,6	Scheibe 16x25x0,6	Arandela spec. 16.25.0,6
12	13-49200	Distanziale forcellone	Spacer	Entretoise bras oscillant	Distanz Schwingenlagerung	Distanciador basculante
13	11-23000	Boccola a rulli 22x28x18	Needle bearing 22x28x18	Douille a roulements 22x28x18	Nadellager 22x28x18	Cojinete agijas 22.28.18 basc.
14	15-49594-8	Forcellone con elicoidi	Swinging arm assy	Bras oscillant compl, helicoide	Schwinge	Basculante
15	25-55770	Perno forcellone	S/arm spindle	Pivot bras ascillant	Schwingenachse	Eje basculante
16	28-98575-0-66	Supporto cavalletto	Stand bracket	Support bequille	Halter Sertenstaender	Soporte caballete
17	13-46300	Distanziale cavalletto	Spacer stand	Entretoise bequille	Distanz REV	Distanciador caballete
18	22-47024	Molla cavalletto	Slide stand spring	Ressort bequille	Feder Ständer	Muelle caballete
19	29-10593	Tappo in gomma forcellone	Rubber plug, s/arm	Bouchon en caoutchouc	Stopfen Schwinge	Tapa goma basculante
20	12-39934-0-66	Cavalletto	Stand	Bequille	Seitenständer	Caballete
21	29-11860	Tendicatena	Chain tensioner	Tendeur	Kettenspanner	Tensor cadena (excentrica)
22	25-98955	Protezione corona	Rear sprocket protection	Protection couronne	Kettenblattschutz	Protector corona trial
23	15-14300	Fascetta fissaggio tubo freno	Clamp	Collier fixation tube frein arriere	Befestigungschelle Bremsschlauch	Brida fijacion freno post.



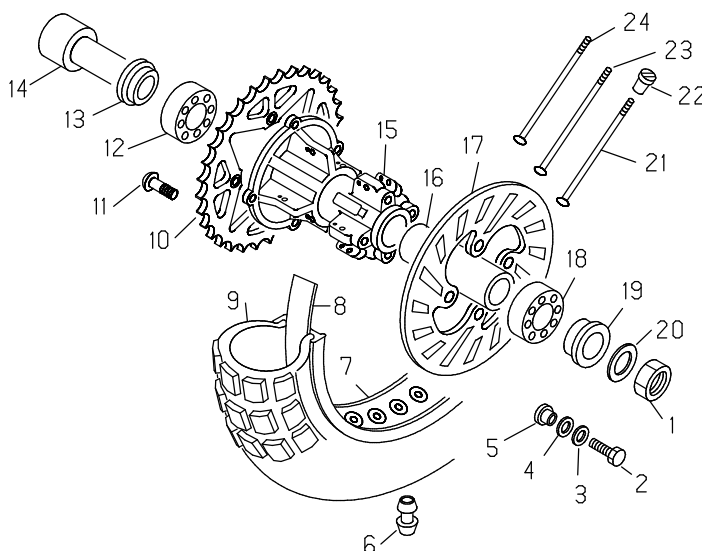
Pos	Number	Descrizione	Description	Description	Beschreibung	Descripción
1	29-16261	Tubo scarico	Exhaust tube	Tube vidange	Krümmen	Tubo escape parte
2	10-67100	Anello OR 52,07x2,62 vyton	OR 52,07x2,62 vyton	OR 52,07x2,62 vyton	O-Ring 52,07x2,62 vyton	Junta torica 52,07x2,62 vyton
3	10-67100	Anello OR 52,07x2,62 vyton	OR 52,07x2,62 vyton	OR 52,07x2,62 vyton	O-Ring 52,07x2,62 vyton	Junta torica 52,07x2,62 vyton
4	22-03355	Marmitta centrale	Muffler	Pot d'echappement central	Mittelschalldämpfer REV	Escape central
5	28-91947	Silent-block marmitta	Silent-block	Silent-block pot d'echappement	Silent-Block	Silent-block escape
6	29-16265	Tubo interno silenziatore	Inner tube silencer	Tube interieur silencieux	Krümmen	Tubo interior silenciador
7	12-88413	Coprimarmitta centrale	Muffler cover	Cache pot d'echappement	Karbonabdeckung Schalldämpfer	Cubresilencioso final
8	15-02504	Feltro isolante per marmitta	Soundproofing felt for muffler	Feutre isolant pot d'echapp.	Daemmaterial Karbonabdeck.	Filtro embrague
9	12-54321-0-59	Codino silenziatore	Silencer terminal	Queue silencieux	Endschalldämpferkappe	Colin silencioso rev 3
10	16-29602	Gommino per codino silenz.	Silencer grommet	Caot.pour queue silencieux	Gummi Schalldämpfer REV	Goma silenciador
11	28-91872	Silenziatore completo	Silencer complete	Silencieux complet	Endschalldämpfer	Silenciador completo
12	10-66680	Anello OR 28,25x2,62 vyton	OR 28,25x2,62 vyton	OR 28,25x2,62 vyton	Wedi 28,25x2,62 vyton	Junta torica 28,25x2,62 vyton
13	10-66680	Anello OR 28,25x2,62 vyton	OR 28,25x2,62 vyton	OR 28,25x2,62 vyton	Wedi 28,25x2,62 vyton	Junta torica 28,25x2,62 vyton
14	25-94585	Preformato silenziatore	Inner component, silencer	Pre-format silencieux	Daemmaterial	Fibra cartucho silencioso



Pos	Number	Descrizione	Description	Description	Beschreibung	Descripción
1	16-75910	Guarnizione 5mm	Gasket 5mm	Joint 5mm	Dichtgummi Luftfilterdeckel	Goma caja filtro d5x500
2	12-73214-8-97	Coperchio accesso a filtro	Air filter cover	Couvercle filtre	Deckel Luftfilterkasten	Tapa guardabarros tras. Filtro
3	28-12746-0-59	Scatola filtro	Air filter box	Boite de filtre	Filterkasten	Caja filtro aire
4	28-98098-0-59	Supporto fissaggio filtro	Filter bracket	Support fixation filtre	Halter Lufi	Soporte fij.filtro
5	15-26053	Filtro in spugna	Air filter	Filtre en eponge	Luftfilter	Espuma filtro
6	15-15380	Fascetta 33x53	Clamp 33x53	Collier 33x53	Schlauchbinder	Brida 33/53
7	22-13641	Manicotto scatola filtro	Rubber sleeve	Douille boite de filtre	Gummischlauch verga-luftfilter	Manguito caja filtro
8	13-36050	Deflettore ammortizzatore	Baffle absorber shock	Deflecteur amortisseur	Stossdämpferschutz	Deflector amortiguador trasero
9	25-24412	Paraschizzi scatola filtro	Filter box mudguard	Cache-taches boite de filtre	Spritzschutz Luftfilter	Faldon goma caja filtro

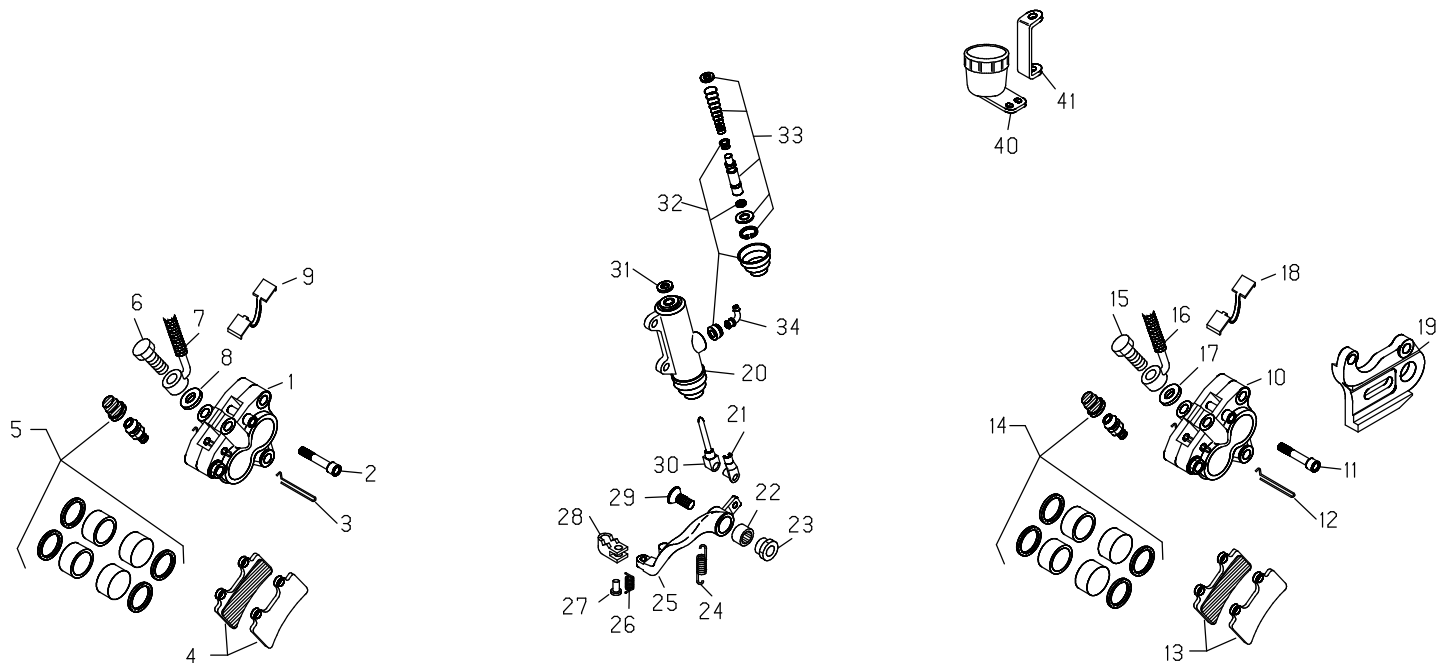


Pos	Number	Descrizione	Description	Description	Beschreibung	Descripción
1	27-24192	Raggio 3x254 c.169	Spoke 3x254 c.169	Rayon 3x254 c,169	Speiche 3x254 c.169	Radio 3.254 c.169
2	27-24193	Raggio 3x256 c.169	Spoke 3x256 c.169	Rayon 3x256 c,169	Speiche 3x256 c.169	Radio 3.256 c.169
3	23-10100	Nipples	Nipples	Nipples	Nippel	Nipples
4	28-97232	Staffa supporto conta-Km	Bracket	Etrier support compteur	Klemme	Soporte cuenta km.
5	12-09361	Conta km	Speedometer	Compteur	Tachometer	Cuenta km. tr.
6	29-25406	Trasmissione conta-Km	Speedometer cable	Cable compteur	Tachowelle	Cable cuenta km.
7	25-56811	Perno "ergal" ruota anteriore	Front wheel axle	Pivot roue avant	Vorderradachse	Eje ergal rueda delantera
8	27-32462	Rinvio conta-Km	Speed-drive	Renvoi compteur	Tachoaantrieb	Reenvio cuenta km.
9	13-85764	Distanziale mozzo ant. Sx/Dx	LH and RH front hub spacer	Entretoise moyeu avant	Distanz li/re	Dist.,buje delt.04 izq. l/disco
10	12-98010	Cuscinetto 20X42X12 stagno	Ball bearing 20x42x12	Roulement 20x42x12 etanche	Kugellager 20x42x12	Cojinete 20.42.12 blindado
11	12-16410	Camera 2,75x21 MICHELIN	Tube 2,75x21 MICHELIN	Tube 2,75x21 MICHELIN	Schlauch 2,75x21 MICHELIN	Camara 21ab michelin
12	13-55240	Distanziale copridisco anter.	Spacer	Entretoise couvercle disque av.	Distanz	Distanciador cubredisco ant.
13	12-88262-1-33	Copridisco anter.	Front brake disk cover	Cache disque avant	Bremsscheibenabdeckung v.	Cubredisco ant.
14	12-79400	Copertura 2,75x21	Tire 2,75x21	Couverture 2,75x21	Reifen 2,75x21	Cubierta 2.75x21 trial
15	15-38200	Flap 21x25	Bead 21x25	Flap21x25	Felgenband 21x25	Flap cinta tapa radios 21.25
16	12-42531	Cerchio MONRAD 21x1,6x32	Rim MONRAD 21x1,6x32	Jante MONRAD 21x1,6x32	Felge MONRAD 21X1,6X32	Llanta morad 21.1,6-32
17	22-07190-0-57	Mozzo anteriore c/cuscinetti	Front hub with ballbearing	Moyeu avant avec roulements	Nabe vo.	Buje ant.c/cojinetes
18	13-62251	Distanziale disco freno	Spacer	Entretoise disque roues	Distanz	Distanciador disco
19	22-31980	Molla a Tazza	Cup spring	Ressort disque	Federscheibe	Muelle disco
20	27-57510	Rondella spess. 6x18,5x1	Washer 6x18,5x1	Rondelle epaisseur 6x18,5x1	Scheibe 6x18,5x1	Arandela spess. 6.18,5.1
21	11-49510	Bullone 6x25 ch10 rs	Bolt 6x25	Boulon 6x25 ch10 rs	Bolzen 6x25	Tornillo 6.25 ch 10 rs
22	12-98010	Cuscinetto 20X42X12 stagno	Ball bearing 20x42x12	Roulement 20x42x12 etanche	Kugellager 20x42x12	Cojinete 20.42.12 blindado
23	13-85764	Distanziale mozzo ant. Sx/Dx	LH and RH front hub spacer	Entretoise moyeu avant	Distanz li/re	Dist.,buje delt.04 izq. l/disco
24	15-17500	Fermafascioni anteriore	Tire fastener	Caoutchouc serrure chambre	Reifen Halter	Agarre cubierta ant.
25	27-48000	Rondella 8 grower	Washer 8 grower	Rondelle 8 grower	Scheibe 8	Arandela grower 8
26	13-17000	Dado 8x8 ch13	Nut 8x8	Ecrou 8x8 ch13	Mutter 8x8	Tuerca 8.8 ch13
27	13-62703	Distanziale int. mozzo anter.	Front hub inner spacer	Entretoise int. moyeu avant	Distanzscheibe	Distanciador int buje del.
28	13-39277	Disco freno anteriore	Front brake disk	Disque frein avant	Bremsscheibe vo.	Disco trial delantero

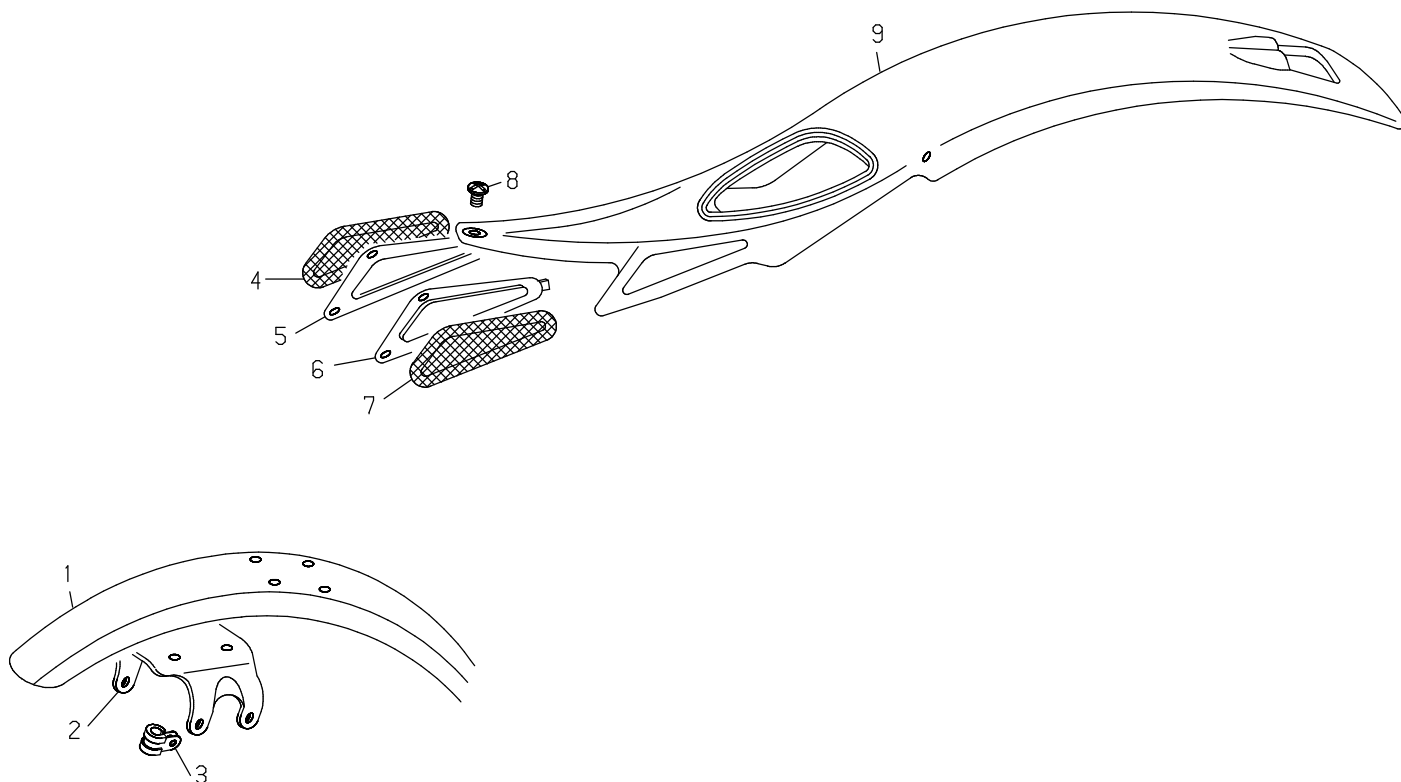


Pos	Number	Descrizione	Description	Description	Beschreibung	Descripción
1	13-29600	Dado 16x1,5	Nut 16x1,5	Ecrou 16x1,5	Rad Mutter 16x1,5	Tuerca 16.1,5
2	11-49012	Bullone 6x20 ch10 rs	Bolt 6x20	Boulon 6x20 ch10 rs	Bolzen 6x20	Tornillo 6.20 ch 10 rs
3	27-57510	Rondella spess. 6x18,5x1	Washer 6x18,5x1	Rondelle epaisseur 6x18,5x1	Scheibe 6x18,5x1	Arandela spess. 6.18,5.1
4	22-31980	Molla a Tazza	Cup spring	Ressort disque	Federscheibe	Muelle disco
5	13-62251	Distanziale disco freno	Spacer	Entretoise disque roues	Distanz	Distanciadore disco
6	31-10001	Valvola aria tubless	Tubeless valve	Valve air tubless	Reifenventil	Valvula aire tubless
7	12-42921	Cerchio MONRAD 18x2,15x32	Rim MONRAD 18x2,15x32	Jante MONRAD 18x2,15x32	Felge MONRAD 18x2,15x32	Llanta morad 18.2,15-32 tubl.
8	15-38205	Flap	Bead	Flap	Felgenband	Cinta tapa radios "flap"
9	12-81470	Copertura 4,00x18 TRX11TBL	Tire 4,00x18 TRX11TBL	Couverture 4.00x18 TRX11TBL	Reifen 4,00x18 TRX11TBL	Cubierta 4.00x18 trial tub.x11
10	12-89675	Corona z.55 5/16x1/2	Rear sprocket z.55	Couronne z.55 5/8x1/4	Kettenrad z.55	Corona z-55
**	12-89439	Corona z.42 5/8x1/4	Rear sprocket z.42	Couronne z.42 5/8x1/4	Kettenrad z.42	Corona z-42
11	31-64035	Vite TBCE 8x35	Screw 8x35	Vis 8x35	Schraube 8x35	Tornillo tpspc 8.35
12	12-98010	Cuscinetto 20X42X12 stagno	Ball bearing 20x42x12	Roulement 20x42x12 etanche	Kugellager 20x42x12	Cojinete 20.42.12 blindado
13	13-85773	Distanziale mozzo post.	Spacer rear hub	Entretoise moyeu arriere	Distanzscheibe	Dist. buje tras. der. l/corona
14	25-55763	Perno "ergal" ruota posteriore	Rear wheel axle	Pivot roue arriere	Achse	Eje ergal ruota post.
15	22-08024-0-57	Mozzo posteriore c/cuscinetti	Rear hub with ballbearing	Moyeu arriere avec roulements	Hinterrad Nabe	Buje del. c/cojinetes
16	13-62717	Distanziale int. mozzo poster.	Rear hub inner spacer	Entretoise int. moyeu arriere	Distanzscheibe	Distanciadore int. Buje tras.
17	13-39314	Disco freno posteriore	rear brake disk	Disque frein arriere	Bremscheibe hi.	Disco trial trasero
18	12-98010	Cuscinetto 20X42X12 stagno	Ball bearing 20x42x12	Roulement 20x42x12 etanche	Kugellager 20x42x12	Cojinete 20.42.12 blindado
19	13-85760	Distanziale mozzo post. Sx	LH rear hub spacer	Entretoise moyeu arriere	Distanz li	Distanciadore buje tras.
20	27-71210	Rondella 17x33x3	Washer 17x33x3	Rondelle 17x33x3	Scheibe 17x33x3	Arandela 17x33x3
21	27-24661	Raggio post.3,5x214 lato disco	Rear spoke 3,5x214 disk-side	Rayon arr.3,5x214 cote disque	Speiche hi links	Rayo tras. 3,5x214 lato disco
22	23-10110	Nipples ø3,5	Nipples ø3,5	Nipples ø3,5	Nippel ø3,5	Nipples 3,5
23	27-24664	Raggio 3,5x216 c.171	Spoke 3,5x216 c,171	Rayon 3,5x216 c,171	Speiche hi rechts innen	Rayo 3,5x216 c. 171
24	27-24663	Raggio post 3,5x218 lato cor.	Rear spoke 3,5x218 crown side	Rayon arr.3,5x218 cote cour.	Speiche hi rechts aussen	Rayo tras. 3,5x218

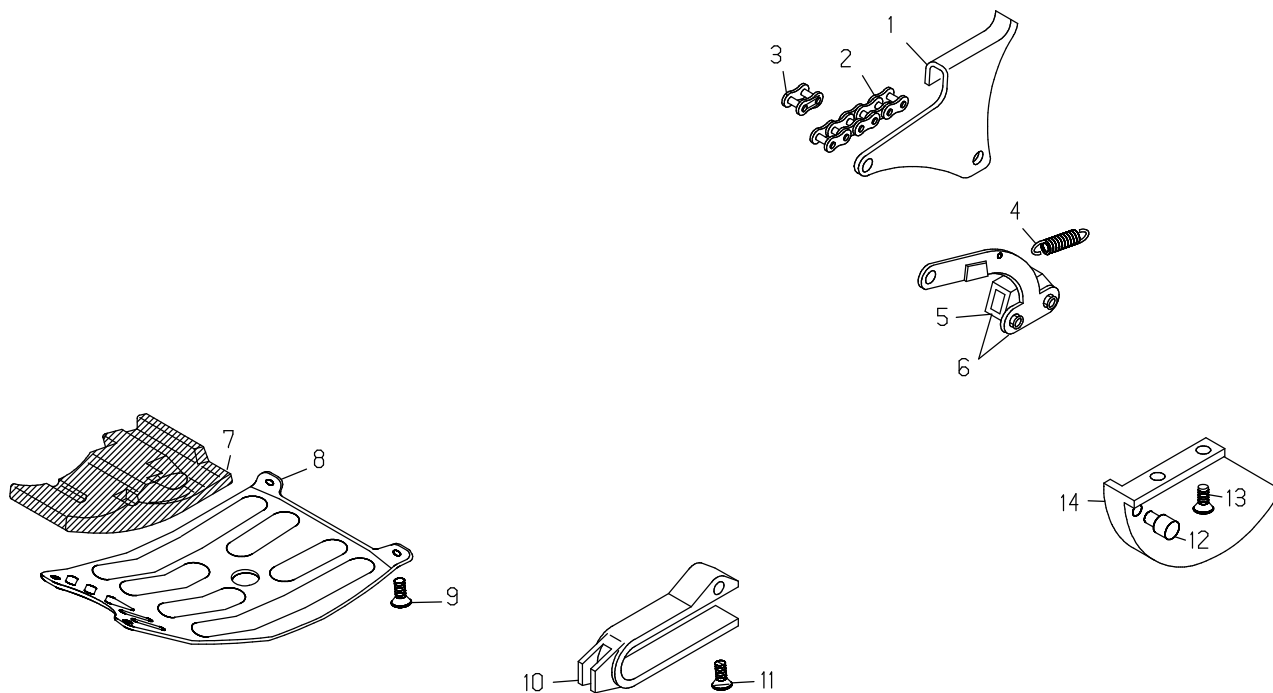
** Per motore / For engine / Pour le moteur / Betrifft den motor / Por el motor / 200cc



Pos	Number	Descrizione	Description	Description	Beschreibung	Descripción
1	25-03042	Pinza freno a disco	Brake pliers	Pince frein a disque	Bremszange vo./hi.	Pinza freno
2	11-70520	Bullone fermapastiglie pinza	Special bolt	Boulon arret machoires	Halter Bremsbeläge	Tornillo pastillas pinzas
3	22-32205	Molla ferma pastiglie pinza	Brake pads spring for pliers	Ressort arret plaquettes	Haltefeder	Muelle pastillas pinza
4	25-25352	Pastiglie per pinza	Brake pads	Plaquettes pince	Bremsbeläge hinten	Pastillas pinza
5	20-02713	Kit pistoncini e guarniz. Pinza	Piston e oil seal for pliers	Jeu petit pistons et joint pinces	Reparaturatz Bremszange	Juego piston y guarnicion pinza
6	11-65040	Bullone forato 10x1 x tubo freno	Special bolt	Boulon 10x1 x tube frein	Hohlschraube F.Bremse	Tornillo esp. talad.10.1
7	29-09114	Tubo freno anteriore x AJP	Front brake hose	Tube frein avant pour AJP	Bremsleitung	Tubo freno delantero
8	16-50510	Guarnizione 10x15x1 in rame	Gasket 10x15x1 copper	Joint 10x15x1 cuivre	Dichtung 10x15x1 Kupfer	Junta 10.15.1 (cobre)
9	25-98913	Protezione pastiglie freno	Brake pliers protection pads	Protection machoires frein	Abdeckung Bremszange	Protection pastillas freno
10	25-03046	Pinza freno posteriore	Rear brake plier	Pince frein arriere	Bremszange hinten	Pinza freno post.
11	11-70520	Bullone fermapastiglie pinza	Special bolt	Boulon arret machoires	Halter Bremsbeläge	Tornillo pastillas pinzas
12	22-32205	Molla ferma pastiglie pinza	Brake pads spring for pliers	Ressort arret plaquettes	Haltefeder	Muelle pastillas pinza
13	25-25352	Pastiglie per pinza	Brake pads	Plaquettes pince	Bremsbeläge hinten	Pastillas pinza
14	20-02713	Kit pistoncini e guarniz. Pinza	Piston e oil seal for pliers	Jeu petit pistons et joint pinces	Reparaturatz Bremszange	Juego piston y guarnicion pinza
15	11-65040	Bullone forato 10x1 x tubo freno	Special bolt	Boulon 10x1 x tube frein	Hohlschraube F.Bremse	Tornillo esp. talad.10.1
16	29-09360	Tubo freno disco posteriore	Rear brake hose	Tube frein a disque arriere	hi. Bremsleitung	Tubo freno disco post.
17	16-50510	Guarnizione 10x15x1 in rame	Gasket 10x15x1 copper	Joint 10x15x1 cuivre	Dichtung 10x15x1 Kupfer	Junta 10.15.1 (cobre)
18	25-98913	Protezione pastiglie freno	Brake pliers protection pads	Protection machoires frein	Abdeckung Bremszange	Protection pastillas freno
19	28-94553	Staffa ancoraggio pinza post.	Rear brake plier	Etrier fixation pince arriere	Bremsanker hi.	Soporte pinza tras.
20	25-91180	Pompa freno posteriore	Rear brake pump	Pompe frein arriere	Bremspumpe hi.	Bomba freno trasera
21	28-93130	Staffa blocc. asta freno	Pump pin w/spring	Chassis blocage tige frein	Betätigungspin Bremshebel hi.	Pasador bloqueo soporte freno
22	11-22220	Boccola a rulli 12x18x16 2rs	Needle bearing 12x18x16 2rs	Douille a roulements 12x18x16	Nadellager 12x18x16 2rs	Cojinete agujas 12.18.16 2rs
23	11-26611	Boccola pedale freno	Bush lever	Douille pedale frein	Buchse Bremshebel hi	Casquillo pedal freno rev 3
24	22-62171	Molla ritorno pedale freno	Return brake pedal spring	Ressort de retour frein	Bremspedal Feder	Muelle retorno palanca freno
25	25-28101	Pedale freno	Rear brake	Pedale frein	Bremshebel hi.	Pedal freno
26	22-62090	Molla ritorno mozzo ped.freno	Return brake pedal spring	Ressort de retour	Bremspedal Feder	Muelle ritorno puntera p.freno
27	25-54450	Perno snodo pedale freno	Brake pedal pin	Pivot joint pedale frein	Bremspedal Pin	Eje pedal freno
28	22-90052	Mozzetto con pedana	Footrest hub	Moyeu a/repouse pieds	Rasten Nabe Fußbremshebel	Puntera pedal freno
29	31-63940	Vite TSPCE 8x25	Screw 8x25	Vis 8x25 TEPCH	Schraube 8x25	Tornillo tspce 8.25
30	10-84090	Asta com.pompa freno post	Rear brake rod	Tige de commande pompe frein	Betaetigungsstange Bremse hi.	Varilla bomba freno post.
31	16-50510	Guarnizione 10x15x1 in rame	Gasket 10x15x1 copper	Joint 10x15x1 cuivre	Dichtung 10x15x1 Kupfer	Junta 10.15.1 (cobre)
32	20-08261	Kit guarnizioni pompa	Pump gaskets kit	Jeu joints pompe	Pumpe Dichtsatz	Juego guarniciones bomba
33	20-08251	Kit pistoncino compl. pompa	Pump piston assy	Jeu piston complet pompe	Kuppl pompe kolben	Juego piston compl. Bomba
34	25-91180	Pompa freno posteriore	Rear brake pump	Pompe frein arriere	Bremspumpe hi.	Bomba freno trasera
40	28-05101	Serbatoio olio freni	Brake oil tank	Reservoir huile freins	Ausgleichsbehälter	Deposito liquido freno
41	28-95311	Staffa fissaggio serbatoio olio	Oil tank bracket	Etrier fixation reservoir huile	Halter	Soporte fijacion deposito liquido

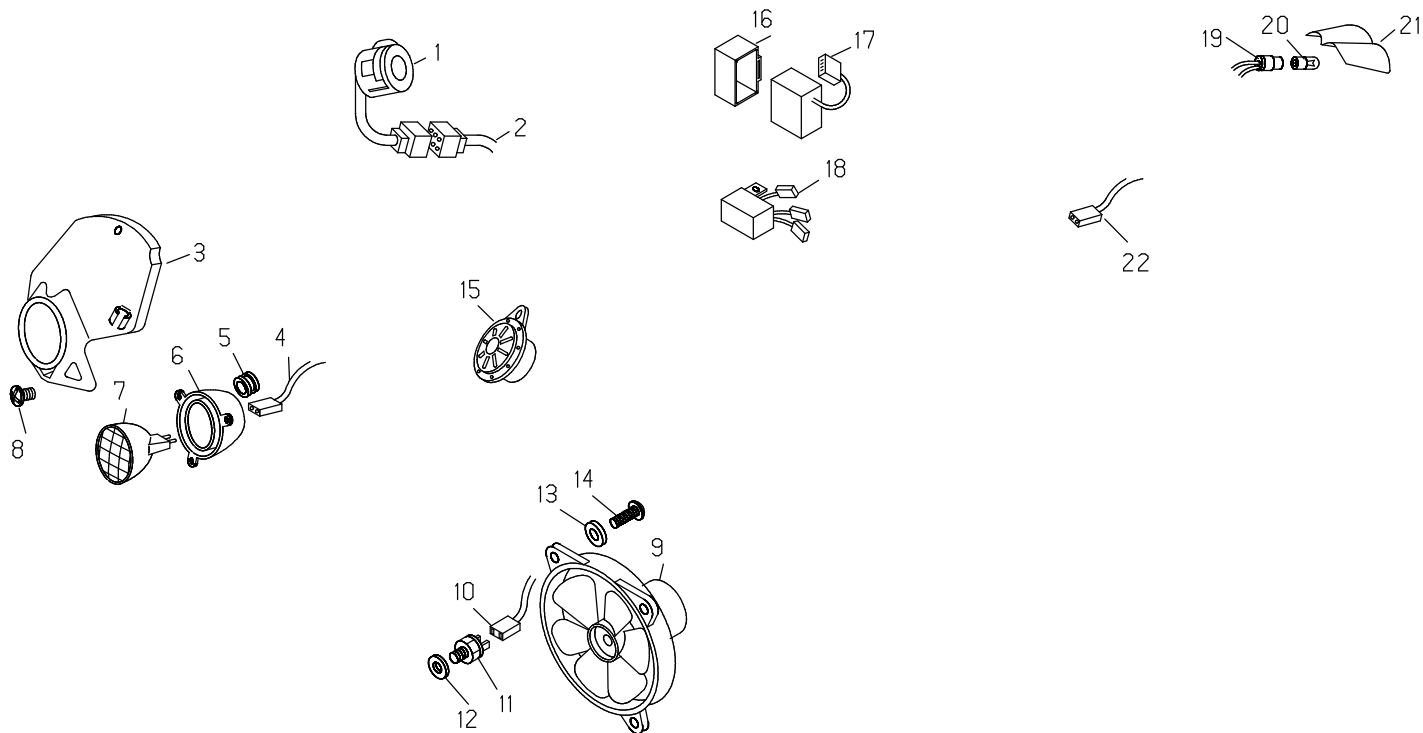


Pos	Number	Descrizione	Description	Description	Beschreibung	Descripción
1	25-15189-0-97	Parafango anteriore	Front fender	Garde-boue avant	Vorderradkotflügel	Guardabarros delantero
2	28-98277	Supporto parafango anteriore	Front fender bracket	Support garde-boue avant	Kotflügelhalter vorne	Soporte guardabarros ant.
3	15-14600	Fascetta tubo freno 10x15	Clamp 10x15	Collier tube frein disque 10x15	Schelle F. Bremsschlauch	Brida fijación tubo freno 10.15
4	27-28490-0-59	Rete parafango posteriore dx	Rear fender RH net	Reseau garde-boue arr.droit	Grilleinsatz Kotflügel re	Rejilla guardabarros dx
5	12-55781	Contenitore griglia paraf.p.dx.	Container grill right rear fender	Logement grille garde	Rahmen Grill Kotflügel li	Plástico rejilla guardabarros sx
6	12-55780	Contenitore griglia paraf.p.sx.	Container grill left rear fender	Logement grille garde	Rahmen Grill Kotflügel re	Plástico rejilla guardabarros dx
7	27-28491-0-59	Rete parafango posteriore sx	Rear fender LH net	Reseau garde-boue arr.gauche	Grilleinsatz Kotflügel re	Rejilla guardabarros dx
8	31-30530	Vite TTLIC 6x12 testa 15	Screw 6x12	Vis 6x12 TRLCC t.15	Schraube 6x12	Tornillo tlic 6.12 cabeza 15
9	25-19687-0-33	Parafango posteriore	Rear fender	Garde-boue arriere	Hinterradkotflügel	Guardabarros tras.

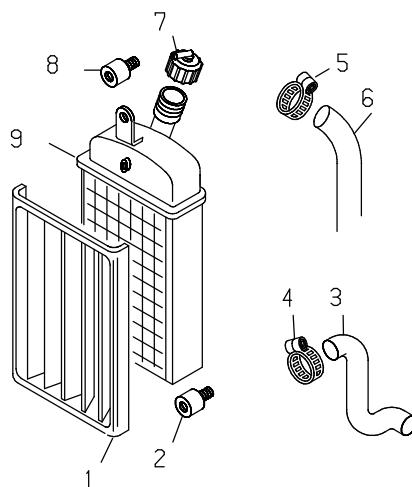


Pos	Number	Descrizione	Description	Description	Beschreibung	Descripción
1	12-84863	Copricatena	Cover chain	Carter chaîne	Kettenschutz	Cubrecadena
	12-08200	Catena 1/2z5/16 p.126	Chain 5/8x1/4 p.126	Chaîne 5/8x1/4 p.126	Kette 5/8x4 p.126	Cadena 5/8x1/4 p.126
**	12-06770	Catena 5/8x1/4 p.100	Chain 5/8x1/4 p.100	Chaîne 5/8x1/4 p.100	Kette 5/8x4 p.100	Cadena 5/8x1/4 p.100 esp.
3	22-11180	Maglia congiunzione 1/2x5/16	Connecting link 1/2x5/16	Maillon jonction 1/2x5/16	Kettenschloss 1/2x5/16	Enganche cadena 1/2x5/16
**	22-11220	Maglia congiunzione 5/8x1/4	Connecting link 5/8x1/4	Maillon jonction 5/8x1/4	Kettenschloss 5/8x1/4	Enganche cadena 5/8.1/4
4	22-81112	Molla ritorno pattino tendicat.	Spring	Ressort retour patin tendeur	Feder Kettenspanner	Muelle ret. patin tensor cadena
5	16-22500	Gomma per pattino tendicatena	Chain tens. Block	Caoutchouc tendeur de chaîne	Kettenklotz	Goma patin tensor cadena
6	25-25953	Pattino tendicatena completo	Sliding block	Patin tendeur de chaîne compl.	Kettenspanner	Patin tensor cadena compl.
7	16-23320	Gomma per carter parasassi	Bumber rubber	Caoutchouc sabot moteur	Bodenplatte Gummi	Goma proteccion carter
8	12-32183	Carter parasassi	Bumper	Bas moteur	Bodenplatte	Cubrecarter
9	31-64070	Vite flangiata 8x25 ch10	Screw 8x25	Vis avec bride 8x25 ch10	Schraube 8x25	Tornillo especial 8.30
10	29-10082-0-52	Tassello guidacatena	Sliding block	Cheville guide de chaîne	Schwingenschleifklotz	Protector cadena/basculante
11	31-30540	Vite TTLIC 6x16 testa 15	Screw 6x16	Vis 6x16 TRLCC t.15	Schraube 6x16	Tornillo tllc 6.16 cabeza 15
12	16-29492	Gommino battuta cavalletto	Grommet	Caoutchouc arret bequille	Anschlagsgummi	Goma caballete
13	31-73000	Vite spec. 4x8 per volano	Screw 4x8	Vis spec. 4x8 volan	Schraube 4x8	Tornillo spec. 4.8 tc 8 volante
14	12-88052-0-52	Copridisco poster. Infer.	Lower rear disk brake cover	Cache disque arriere inf.	Bremsscheibenabdeck. hi.unt.	Cubredisco post. inf.

** Per motore / For engine / Pour le moteur / Betrifft den motor / Por el motor / 200cc



Pos	Number	Descrizione	Description	Description	Beschreibung	Descripción
1	13-36643	Dip luci	Switch	Commodo feux	Lichtschalter	Mando luces
2	18-01673	Impianto centrale	Electric equipment	Installation centrale	Zentraler Kabelbaum	Instalacion central
3	22-28694-0-97	Mascherina portafaro	Headlight holder	Cache porte-phare	Lampenmaske	Portafaro ant. con adhesivo
4	18-01515	Impianto faro	Electric equipment	Systeme electrique	Kabelbaum	Instalacion electrica
5	28-91500	Silent-block	Silent-block	Silent-block	Silent -Block	Silent-block guardabarros
6	12-03160-0-59	Cappuccio lampada faro	Front head hight cover	Capuchon lampe phare ant.	Lampe	Protector lampara optica
7	21-16750	Lampada faro anteriore	Headlight lamp	Ampolle phare avant	Scheinwerferbirne	Lampara delantera
8	31-29860	Vite TTLIC 5x16 testa 10	Screw 5x16	Vis 5x16	Schraube 5x16	Tornillo ttilic 5.16 cabeza 10
9	14-01030	Elettroventola con supporto	Electric fan	Ventilateur electrique	Lüftermotor	Electrovent.
10	18-01851	Impianto termointerruttore	Electric equipment	Installation interrupt. termique	Kabelbaum	Instalación termointerruptor
11	29-11959	Termointerruttore 50/60	Thermostat 50/60	Interrupteur termique 50/60	Thermoschalter	Termostato temperatura
12	16-49500	Guarnizione 8x20x1 rame	Gasket 8x20x1 copper	Joint 8x20x1 cuivre	Dichtung 8x20x1 Kupfer	Junta 8x20x1 cobre
13	27-43000	Rondella in gomma 6x20x3	Rubber washer 6x20x3	Rondelle in caoutchouc 6x20x3	Scheibe 6x20x3	Arandela goma 6.20.3
14	31-30520	Vite TTLIC 6x16 testa 12	Screw 6x16	Vis 6x16 TRLCC t.12	Schraube 6x16	Tornillo ttilic 6.16 cabeza 12
15	10-09222	Avvisatore acustico	Horn	Avertisseur acustique	Hupe	Avisador acustico
16	16-23325	Gomma supporto centralina	CDI unit cushion	Caoutchouc support C.D.I.	Gummihalter Zuendenheit	Goma soporte centralita
17	12-41825-8	Centralina digitale	CDI unit	Bobine digital (C.D.I.)	Steuergerät	Centralita digital
18	27-28092	Regolatore	Regulator	Regulateur	Regler	Regulador
19	25-91761	Portalampe fan.post.(cp)	Rear light lamp holder	Porte-lampes (couple) feu arr.	Rücklichthalter	Portalamp. (juego) piloto tras.
20	21-15520	Lampada spia tubol. 12V-4W	Warning light 12V-4W	Ampolle témoin boudin 12V-4W	Birne 12V-4W	Lampara 12V-4W
21	15-01821	Fanalino posteriore	Rear light	feu arriere	Rücklicht Glas	Piloto trasero
22	18-01426	Impianto per fanalino post.	Electric equipment	Installation feu arriere post	Kabelbaum	Instalacion piloto post.



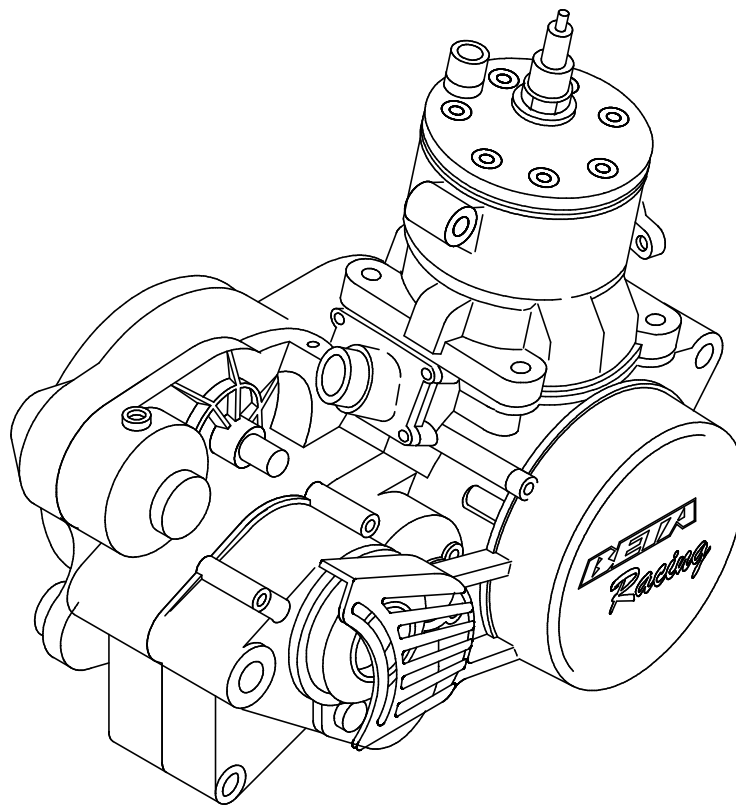
Pos	Number	Descrizione	Description	Description	Beschreibung	Descripción
1	16-45542-1-67	Griglia radiatore	Radiator protection	Grille radiateur	Kühlergrill	Rejilla radiador rev3 04 (**)
2	28-91942	Silent-block marmitta	Silent-block	Silent-block pot d'echappement	Silent-Block	Silent-block escape
3	29-15864	Tubo radiatore - pompa acqua	Water pump radiator tube	Tube radiateur pompe eau	Kühlerschlauch	Tubo refriger. radiador/bomba
4	15-15230	Fascetta 15x25	Clamp 15x25	Collier 15x25	Schelle 15x25	Brida 15/25
5	15-15230	Fascetta 15x25	Clamp 15x25	Collier 15x25	Schelle 15x25	Brida 15/25
6	29-15881	Tubo radiatore - motore	Radiator tube	Tube radiateur moteur	Wasserschlauch Kühler Kopf.	Tubo radiador motor
7	29-01821	Tappo radiatore	Water tank cover	Bouchon radiateur	Kühlwasserdeckel	Tapon radiador
8	28-91941	Silent-block radiatore	Silent-block	Silent-block radiateur	Silent-Block	Silent-block radiador
9	27-23632	Radiatore	Radiator	Radiateur	Kühler	Radiador

PARTICOLARI NON FIGURANTI
 SUPPLEMENTARY PARTS LIST
 PARTICULIERS PAS MENTIONNES
 NICHT VERZECHNETE TEILE
 PARTICULARES NO FIGURADOS

Pos	Number	Descrizione	Description	Description	Beschreibung	Descripción
	12-43030	Chiave candela	Spark plug key	Cle bougie	Kerzenschlüssel	Llave bujía
	13-33816	Decalco complet.to REV-3 '05	Completely decals REV-3 '05	Autocollant compl. REV-3 '05	Aufklebersatz kpl.	Juego adhesivos compl.
	13-33816-1	Decalco paraf. anter. REV-3 '05	Decal front fender REV-3 '05	Autocollant garde boue REV-	Aufkleber Kotflügel vorne	Juego adhesivos
	13-33816-2	Decalco paraf. post. REV-3 '05	Decal rear fender REV-3 '05	Autocollant garde boue REV-	Aufkleber Kotflügel hinten	Juego adhesivos
	13-33816-3	Decalco mascherina REV-3 '05	Decal headlight holder REV-	Autocollant cache phare REV-	Aufkleber Lampenmaske	Juego adhesivos
	13-33816-4	Decalco forcellone REV-3 '05	Decal swinging arm REV-	Autocollant bras oscillant REV-	Aufkleber Schwinge	Juego adhesivos basculante
	13-33816-5	Decalco cop. filtro REV-3 '05	Decal filter cover REV	Autocollant couv. Filtre REV	Aufkleber luftfilterdeckel	Juego adhesivos tapon filtro
	27-02563-0-57	Ruota anteriore	Front wheel	Roue avant	Vorderrad	Rueda delantera
	27-02563-4-57	Ruota anteriore p/montata	Front wheel ass.	Roue avant p/monte'	Vormontiertes vorderrad	Rueda delantera montada
	27-04788-0-57	Ruota posteriore	Rear wheel	Roue arriere	Hinterrad	Rueda trasera
	27-04788-4-57	Ruota posteriore p/montata	Front wheel ass.	Roue arriere p/monte'	Vormontiertes hinterrad	Rueda trasera montada
	28-92920	Specchio retrovisore	Rear view mirror	Retroviseur	Rückspiegel	Espejo retrovisor

125-200-250-270

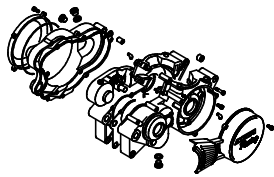
CATALOGO PARTI DI RICAMBIO
 CATALOGUE OF SPARE PARTS
 CATALOGUE PIECES DE RECHANGE
 ERSATZTEILKATALOG
 CATALOGO DE PIEZAS DE REPUESTO



CODICE MOTORE	37-66112-1-00	125cc
ENGINE COD.	37-66112-2-00	200cc
REF. MOTEUR	37-66112-0-00	250cc
MOTOR CODE	37-66112-3-00	270cc
NUMERO MOTOR	37-66113-0-00	250cc GB
	37-66113-3-00	270cc GB

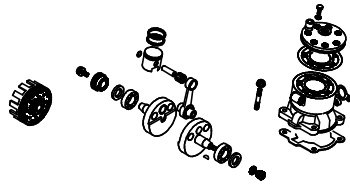
DAL N. MOTORE	500001
FROM ENGINE N.	
DE NUMERO MOTEUR	
AB MOTONUMMER	
DESDE NUMERO MOTOR	

Carter
Crankcase
Carter
Gehäuse
Carter



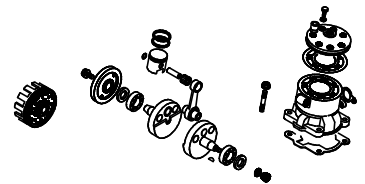
PAG. 3

Albero motore e Cilindro
Crankshaft and Cylinder
Vilebrequin et Cylinder
Kurbelwelle und Zylinder
Ciguenal y Cilindro



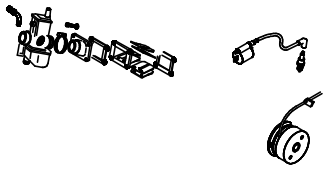
PAG. 4

Albero motore e Cilindro
Crankshaft and Cylinder
Vilebrequin et Cylinder
Kurbelwelle und Zylinder
Ciguenal y Cilindro



PAG. 5

Volano - Carburatore
Flywheel - Carburetor
Volan - Carburateur
Schwungrad - Vergaser
Volante - Carburador



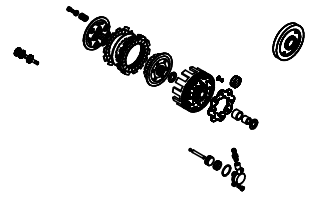
PAG. 6

Pompa acqua
Water pump
Pompe à eau
Wasserpumpe
Bomba agua



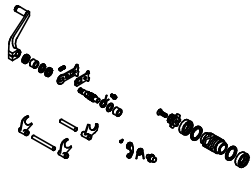
PAG. 7

Frizione
Clutch
Embrayage
Kupplung
Embrague



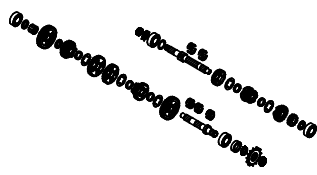
PAG. 8

Comando cambio
Gearbox lever
Levier boîte à vitesses
Getriebschaltung
Mando cambio



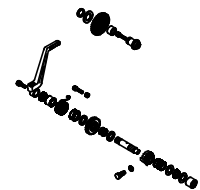
PAG. 9

Cambio
Gearbox
Boite à vitesses
Schaltung
Cambio



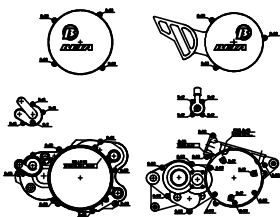
PAG. 10

Messa in moto
Kickstarter
Démarrage
Kickstarter
Arranque

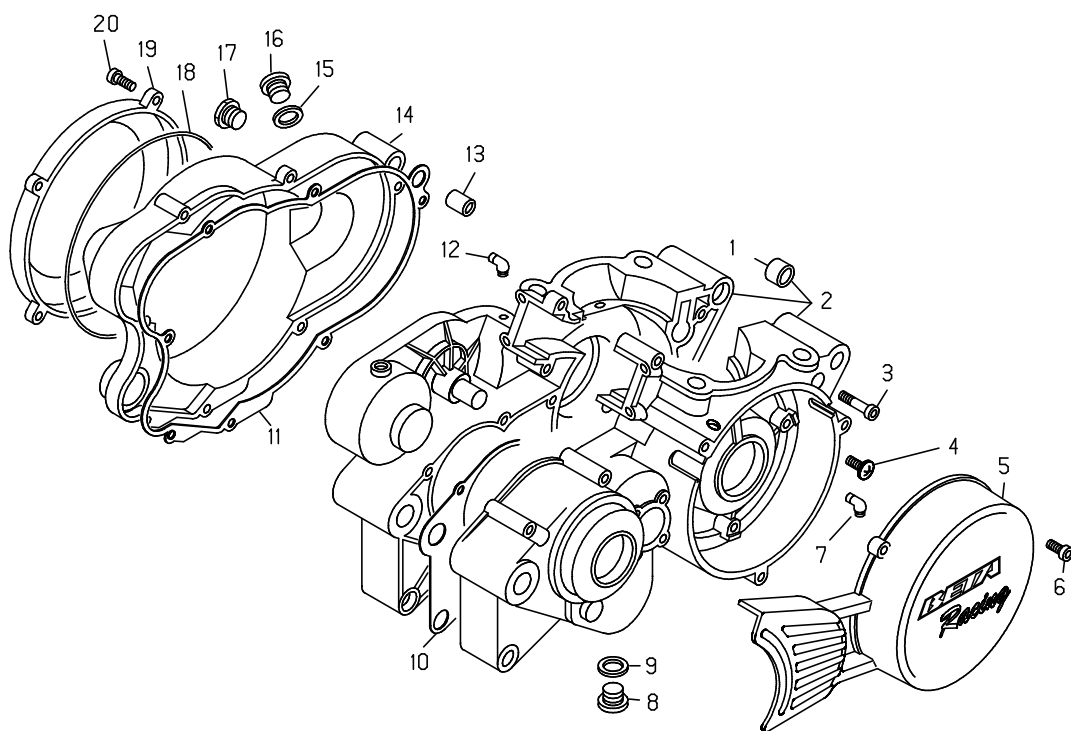


PAG. 11

Viti e Particolari non figuranti
Screws and other ind. comp.
Vis et part. pas mentionnés
Schrauben und andere teile nicht verzeichnet
Tornillos y particulares no figur.

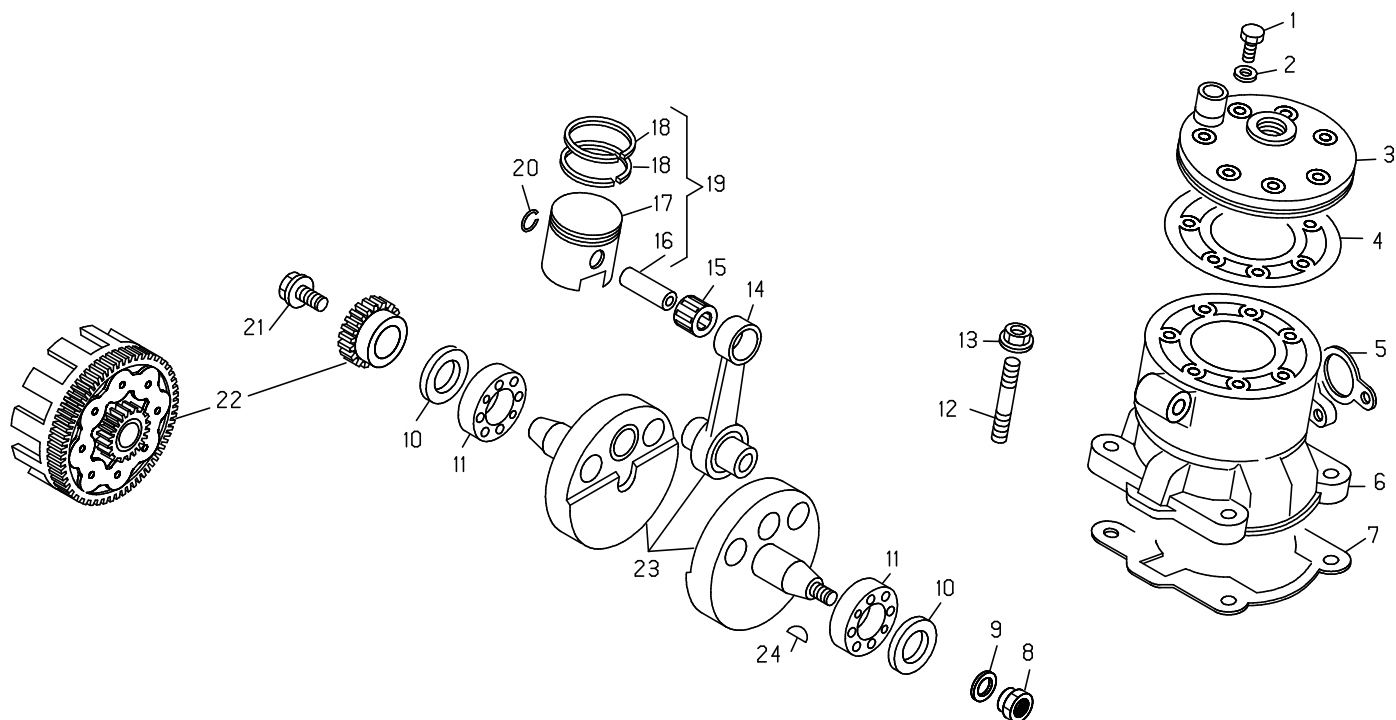


PAG. 12



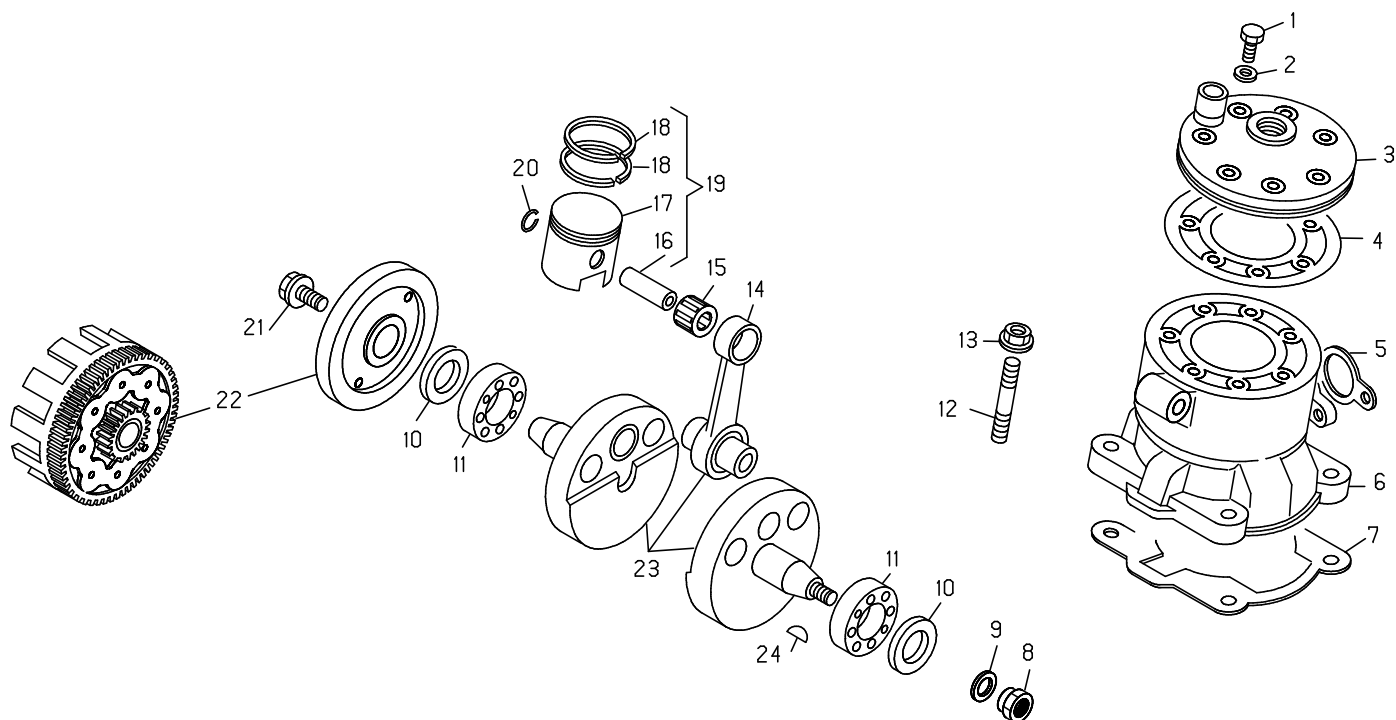
Pos	Number	Descrizione	Description	Description	Beschreibung	Descripción
1	16-41500	Grano riferimento 10,5x13	Dowel 10,5x13	Grain rif. 10,5x13	Dowell 10,5x13	Grano 10,5x13
2	12-06326-0-33	Carter	Crankcase	Carter	Gehäuse	Carter
*	12-06327-0-33	Carter	Crankcase	Carter	Gehäuse	Carter
3	31-59010	Vite brugola 6x50	Screw 6x50	Vis a tete a six pans 6x50	Schraube 6x50	Tornillo
4	31-29850	Vite TTLIC 5x12 testa 10	Screw 5x12	Vis 5x12	Schraube 5x12	Tornillo tlic 5.12 cabeza 10
5	12-69713-1-67	Coperchio volante	Magneto cover	Couvercle volant	Zündungsdeckel	Tapa volante
6	31-34510	Vite brugola 6x20	Screw 6x20	Vis a tete a six pans 6x20	Schraube 6x20	Tornillo
7	27-23470	Raccordo per sfiato	Breather pipe hose	Raccord pour event	Entlüftungsschlauch	Enlace aliento
8	29-00450	Tappo c/calamita scarico olio	Magnetic plug	Bouchon avec aimant	Ablassschraube	Tapon aceite
9	16-53600	Guarnizione 16x22,5x1	Gasket 16x22,5x1	Joint 16x22,5x1	Dichtung 16x22,5x1	Junta 16x22,5x1
10	16-55732	Guarnizione carter	Crankcase gasket	Joint carter	Gehäusedichtung	Junta carter
11	16-71681	Guarnizione cop.friz.interno	Inner clutch cover gasket	Joint couvercle embrayage int.	Dicht. Kupplungsdeckel gross	Junta tapa embrague int.
12	27-23470	Raccordo per sfiato	Breather pipe hose	Raccord pour event	Entlüftungsschlauch	Enlace aliento
13	16-37010	Grano riferimento 9x15	Dowel 9x15	Grain rif. 9x15	Dowell 9x15	Grano 9x15
14	12-62663-0-67	Coperchio frizione interno	Internal clutch cover	Couvercle embrayage int.	Gehäusedeckel innen	Tapa embrague interno
15	16-53600	Guarnizione 16x22,5x1	Gasket 16x22,5x1	Joint 16x22,5x1	Dichtung 16x22,5x1	Junta 16x22,5x1
16	29-10290	Tappo livello olio	Oil plug	Bouchon nivel huile	Einfüllstopfen	Tapon nivel aceite
17	29-10030	Tappo indicatore olio	Oil plug	Bouchon indicateur huile	Schauglas	Tapon aceite
18	10-67340	Anello OR cop.friz.est.	Ext. Clutch cover OR	OR couvercle embr.ext.	Wedi	Junta tapa embrague ext.
19	12-63111-0-67	Coperchio frizione esterno	Clutch cover	Couvercle embrayage ext.	Kupplungsdeckel	Tapa embrague ext.
20	31-34510	Vite brugola 6x20	Screw 6x20	Vis a tete a six pans 6x20	Schraube 6x20	Tornillo

* Per motore / For engine / Pour le moteur / Betrifft den motor / Por el motor / 125cc



Pos	Number	Descrizione	Description	Description	Beschreibung	Descripción
1	11-52425	Bullone spec. 7x33	Special bolt 7x33	Buolon spec. 7x33	Schraube 7x33	Tornillo special 7x33
2	27-45100	Rondella in rame 7x12x0,5	Cup washer 7x12x0,5	Rondelle 7x12x0,5 cuivre	Scheibe 7x12x0,5	Arandela 7x12x0,5
3	29-12050-0-57	Testa	Cylinder head	Culasse	Zylinderkopf	Culata
*	29-12041-0-57	Testa	Cylinder head	Culasse	Zylinderkopf	Culata
4	16-67207	Guarnizione cilindro-testa	Cylinder-head gasket	Joint cylindre culasse	Kopfdichtung	Junta cilindro culata
*	16-67206	Guarnizione cilindro-testa	Cylinder-head gasket	Joint cylindre culasse	Kopfdichtung	Junta cilindro culata
5	16-80700	Guarnizione scarico	Gasket	Joint echappement	Auspuffdichtung	Goma escarico
6	12-51832-8-57	Cilindro	Cylinder	Cylindre	Zylinder	Cilindro
*	12-51838-0-57	Cilindro	Cylinder	Cylindre	Zylinder	Cilindro
7	16-61761	Guarnizione cilindro-carter	Cylinder crankcase gasket	Joint cylindre carter	Fußdichtung REV-3	Junta cilindro carter
8	13-27115	Dado spec. 16x1,25 ch24	Special nut 16x1,25 ch24	Ecrou spec. 16x1,25 ch24	Spezial Mutter 16x1,25 ch24	Tuerca esp. 16x1,25 llave 24
9	27-57760	Rondella spec. Volano	Special washer	Rondelle speciale volant	Spezialscheibe	Arandela esp. Volante
10	10-64660	Anello paraolio 25x40x7 vyton	Oil seal 25x40x7 vyton	Joint spy 25x40x7 vyton	Wedi 25x40x7	Junta aceite 25x40x7
11	12-99561	Cuscinetto 30x62x16	Ball Bearing 30x62x16	Roulement 30x62x16	Kurbelwellenlager 30x62x16	Cojinete 30x62x16
12	25-98050	Prigioniero	Stud bolt	Goujon	Stehbolzen	Prigioniero
*	25-98080	Prigioniero 8x46	Stud bolt 8x46	Goujon 8x46	Stehbolzen	Prigioniero 8x46
13	13-17121	Dado spec. M8 flangiato ch10	Nut M8 special ch10	Ecrou M8 bride ch10	Mutter M8 SW 10	Tuerca M8 esp. Llave 10
14	11-03723-8	Biella completa	Connecting rod assy	Bielle complete	Pleuelsatz	Biella completa
*	11-03721-8	Biella completa	Connecting rod assy	Bielle complete	Pleuelsatz	Biella completa
15	16-14360	Gabbia 16x20x20	Needle bearing 16x20x20	Cade 16x20x20	Nadellager 16x20x20	Jaula 16x20x20
16	28-93850	Spinotto	Piston pin	Axe	Kolben Bolzen	Pasador
*	28-93880	Spinotto	Piston pin	Axe	Kolben Bolzen	Pasador
17	25-86121	Pistone ø54	Piston ø54	Piston ø54	Kolben Kpl. ø54	Piston 54
*	25-86200	Pistone ø64	Piston ø64	Piston ø64	Kolben Kpl. ø64	Piston 64
18	28-55700	Segmento ø54	Piston ring ø54	Segment ø54	Kolbenring ø54	Segmento 54
*	28-51500	Segmento ø64	Piston ring ø64	Segment ø64	Kolbenring ø64	Segmento 64
19	25-86121-8	Pistone ø54 completo	Compl Piston ø54	Piston complet ø54	Kolben Kpl. ø54	Piston completo 54
*	25-86200-8	Pistone ø64 completo	Compl Piston ø64	Piston complet ø64	Kolben Kpl. ø64	Piston completo 64
20	10-42570	Anello ferma spinotto 16	Circlip 16	Bague d'arret goujon 16	Clip 16	Junta
*	10-42580	Anello ferma spinotto	Circlip	Bague d'arret goujon	Clip	Junta
21	11-64100	Bullone spec. Ingran, motore	Special bolt	Boulon spec. Engr. Moteur	Spezial Bolzen Motor	Tornillo special engranage mot.
22	29-07315-8	Trasmissione primaria c/camp.	Primary drive with cup	Transmission primaire a/cloche	Primärtrieb	Trasmissione primaria c/camp.
23	10-00705	Albero motore	Crankshaft	Vilebrequin	Kurbelwelle	Ciguenal
*	10-00707	Albero motore	Crankshaft	Vilebrequin	Kurbelwelle	Ciguenal
24	12-46000	Chiavetta 3x3,7x9,7	Woodruff 3x3,7x9,7	Clavette 3x3,7x9,7	Keli 3x3,7x9,7	Llave 3x3,7x9,7

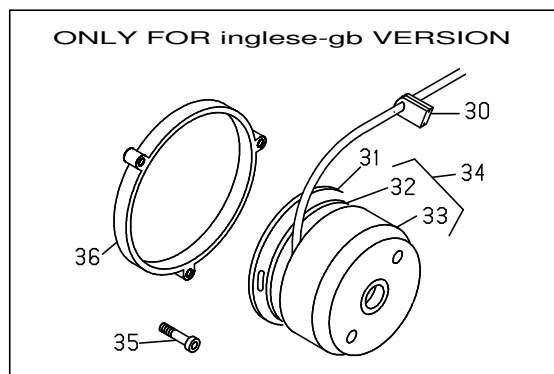
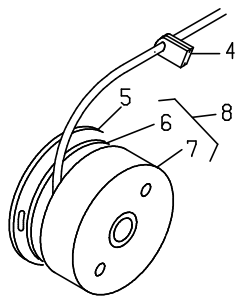
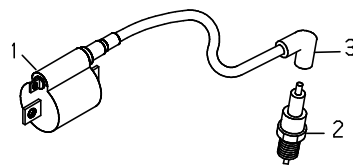
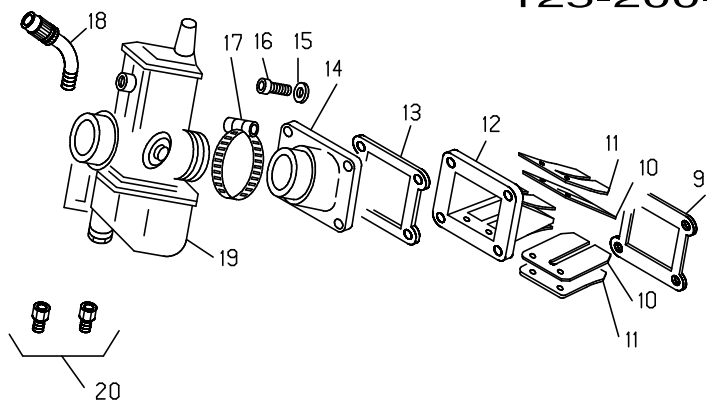
* Per motore / For engine / Pour le moteur / Betrifft den motor / Por el motor / 200cc



Pos	Number	Descrizione	Description	Description	Beschreibung	Descripción
1	11-52425	Bullone spec. 7x33	Special bolt 7x33	Buolon spec. 7x33	Schraube 7x33	Tornillo special 7x33
2	27-45100	Rondella in rame 7x12x0,5	Cup washer 7x12x0,5	Rondelle 7x12x0,5 cuivre	Scheibe 7x12x0,5	Arandela 7x12x0,5
3	29-12091-0-57	Testa	Cylinder head	Culasse	Zylinderkopf	Culata
*	29-12142-0-57	Testa	Cylinder head	Culasse	Zylinderkopf	Culata
4	16-67204	Guarnizione cilindro-testa	Cylinder-head gasket	Joint cylindre culasse	Kopfdichtung	Junta cilindro culata
*	16-67205	Guarnizione cilindro-testa	Cylinder-head gasket	Joint cylindre culasse	Kopfdichtung	Junta cilindro culata
5	16-80700	Guarnizione scarico	Gasket	Joint echappement	Auspuffdichtung	Goma escarico
6	12-51842-0-57	Cilindro ø72,5	Cylinder ø72,5	Cylindre ø72,5	Zylinder ø72,5	Cilindro 72,5
*	12-51862-0-57	Cilindro ø76	Cylinder ø76	Cylindre ø76	Zylinder ø76	Cilindro 76
7	16-61761	Guarnizione cilindro-carter	Cylinder crankcase gasket	Joint cylindre carter	Fußdichtung REV-3	Junta cilindro carter
8	13-27115	Dado spec. 16x1,25 ch24	Special nut 16x1,25 ch24	Ecrou spec. 16x1,25 ch24	Spezial Mutter 16x1,25 ch24	Tuerca esp. 16x1,25 llave 24
9	27-57760	Rondella spec. Volano	Special washer	Rondelle speciale volant	Spezialscheibe	Arandela esp. Volante
10	10-64660	Anello paraolio 25x40x7 vyton	Oil seal 25x40x7 vyton	Joint spy 25x40x7 vyton	Wedi 25x40x7	Junta aceite 25x40x7
11	12-99561	Cuscinetto 30x62x16	Ball Bearing 30x62x16	Roulement 30x62x16	Kurbelwellenlager 30x62x16	Cojinete 30x62x16
12	25-98080	Prigioniero 8x46	Stud bolt 8x46	Goujon 8x46	Stehbolzen	Prigioniero 8x46
13	13-17121	Dado spec. M8 flangiato ch10	Nut M8 special ch10	Ecrou M8 bride ch10	Mutter M8 SW 10	Tuerca M8 esp. Llave 10
14	11-03720-8	Biella completa	Connecting rod assy	Bielle complete	Pleuelsatz	Biella completa
15	16-16700	Gabbia 18x22x22	Needle bearing 18x22x22	Cade 18x22x22	Nadellager 18x22x22	Jaula 18x22x22
16	28-94120	Spinotto 12x52	Piston pin 18x52	Axe 18x52	Kolben Bolzen 18x52	Pasador 18x52
17	25-86570	Pistone ø72,5	Piston ø72,5	Piston ø72,5	Kolben Kpl. ø72,5	Piston 72,5
*	25-86671	Pistone ø76	Piston ø76	Piston ø76	Kolben Kpl. ø76	Piston 76
18	28-52200	Segmento ø72,5	Piston ring ø72,5	Segment ø72,5	Kolbenring ø72,5	Segmento 72,5
*	28-52170	Segmento ø76	Piston ring ø76	Segment ø76	Kolbenring ø76	Segmento 76
19	25-86570-8	Pistone ø72,5 completo	Compl piston ø72,5	Piston complet ø72,5	Kolben Kpl. ø72,5	Piston completo 72,5
*	25-86671-8	Pistone ø76 completo	Compl piston ø76	Piston complet ø76	Kolben Kpl. ø76	Piston completo 76
20	10-42600	Anello ferma spinotto 18	Circlip 18	Bague d'arret goujon 18	Clip 18	Junta
21	11-64100	Bullone spec. Ingran. motore	Special bolt	Boulon spec. Engr. Moteur	Spezial Bolzen Motor	Tornillo special engranage mot.
22	29-07314-8	Trasmissione primaria c/camp.	Primary drive with cup	Transmission primaire a/cloche	Primärtrieb	Transmission primaria c/camp.
23	10-00706	Albero motore	Crankshaft	Vilebrequin	Kurbelwelle	Ciguelal
24	12-46000	Chiavetta 3x3,7x9,7	Woodruff 3x3,7x9,7	Clavette 3x3,7x9,7	Keli 3x3,7x9,7	Llave 3x3,7x9,7

* Per motore / For engine / Pour le moteur / Betrifft den motor / Por el motor / 270cc

125-200-250-270



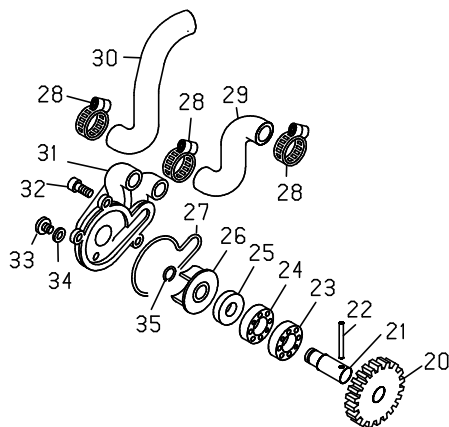
Pos	Number	Descrizione	Description	Description	Beschreibung	Descripción
1	11-20681	Bobina ATE	HT coil	Bobine ATE	Zündspule	Bobina ATE
2	12-25210	Candela N7YCC	Spark plug N7YCC	Bougie N7YCC	Zündkerze N7YCC	Bujia N7YCC
3	27-13550	Raccordo candela schermato	Spark plug protector	Raccord blinde bougie	Zündkerzenstecker	Enlace bujia
4	16-33571	Gommino passafili volano	Grommet	Caout. Passe-fils volant	Puffer	Goma pasacables volante
5	25-60168	Piastra statore per volano "aet"	Plate stator	Plaque stator volant "AET"	Halteplatte	Placa sator volant AET
6	28-97811	Statore per volano	Stator assy,elect.flywheel	Stator volant	Grundplatte Zündung	Stator del volante
7	27-00363	Rotore per volano	Rotor assy	Rotor volant	Schwungrad	Rotor volante
*	27-00365	Rotore per volano	Rotor assy	Rotor volant	Schwungrad	Rotor volante
8	31-03228	Volano digitale	Electric flywheel	Volant digital	Schwungrad	Volante magnetico
*	31-03229	Volano digitale	Electric flywheel	Volant digital	Schwungrad	Volante magnetico
+°	16-92550	Guarnizione valvola	Valve gasket	Joint valve	Dichtung Membranblock	Junta valvula
10	21-15360	Lamella valvola	Valve petal	Doigt valve	Membranzunge	Lama valvula
11	25-59670	Piastrina per valvola	Petal fixing plate	Plaquette valve	Halteplatte Membranzunge	Placa valvula
12	31-02140	Valvola completa	Reed valve complete	Valve complete	Einlass Membran Kpl.	Valvula completa
+°	13-25-57695	Piastrina rac. Aspir. Motore	Engine manifold plate	Plaquette moteur	Halteplatte	Placa enlace aspiracion motor
14	27-23492	Raccordo carburatore	Inlet manifold	Raccord carburateur	Ansaugstutzen	Enlace carburador
*	27-23493	Raccordo carburatore	Inlet manifold	Raccord carburateur	Ansaugstutzen	Enlace carburador
15	27-40500	Rondella 6x13	Washer 6x13	Rondelle 6x13	Scheibe 6x13	Arandela 6x13
16	31-38010	Vite brugola 6x25	Screw 6x25	Vis a tete a six pans 6x25	Schraube 6x25	Tornillo
17	15-15380	Fascetta 33x53	Clamp 33x53	Collier 33x53	Schlauchbinder	Brida 33/53
18	27-32100	Rinvio carburatore	Throttle cable guide	Renvoi carburateur	Gasführung	Reenvio carburador
19	12-04893	Carburatore MIKUNI	carburetor MIKUNI	Carburateur MIKUNI	Mikuni Vergaser	Carburador MIKUNI
#	20-09050	Kit getti carburatore MIKUNI	Carburetor jets kit	Jeu jets carburateur	Reparaturatz Vergasersdüsen	Juego lanzamientos carburador
30	16-33571	Gommino passafili volano	Grommet	Caout. Passe-fils volant	Puffer	Goma pasacables volante
31	25-60168	Piastra statore per volano "aet"	Plate stator	Plaque stator volant "AET"	Halteplatte	Placa sator volant AET
32	28-97811	Statore per volano	Stator assy,elect.flywheel	Stator volant	Grundplatte Zündung	Stator del volante
33	27-00366	Rotore per volano	Rotor assy	Rotor volant	Schwungrad	Rotor volante
34	31-03615	Volano digitale	Electric flywheel	Volant digital	Schwungrad	Volante magnetico
35	31-45000	Vite brugola 6x30	Screw 6x30	Vis a tete a six pans 6x30	Schraube 6x30	Tornillo
36	10-41151-0-67	Anello distanziale cop. volano	Flyweel cover spacer	Bague entretoise couv. Volant	Zündung deckel distanz	Distanciador cubre volante

Per motore / For engine / Pour le moteur / Betrifft den motor / Por el motor / 250cc 2006

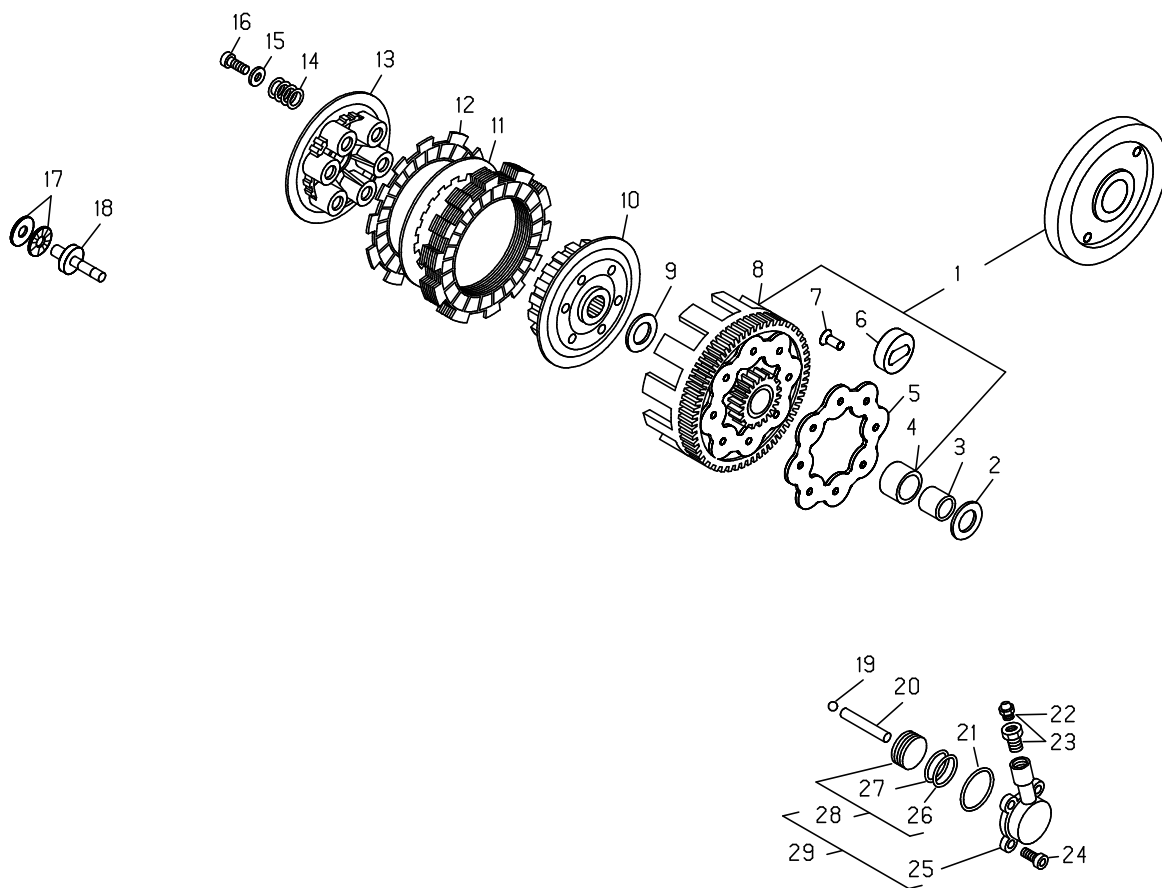
+ Per motore / For engine / Pour le moteur / Betrifft den motor / Por el motor / 270cc 2006

* Per motore / For engine / Pour le moteur / Betrifft den motor / Por el motor / 125cc

° Per motore / For engine / Pour le moteur / Betrifft den motor / Por el motor / 250 - 270cc

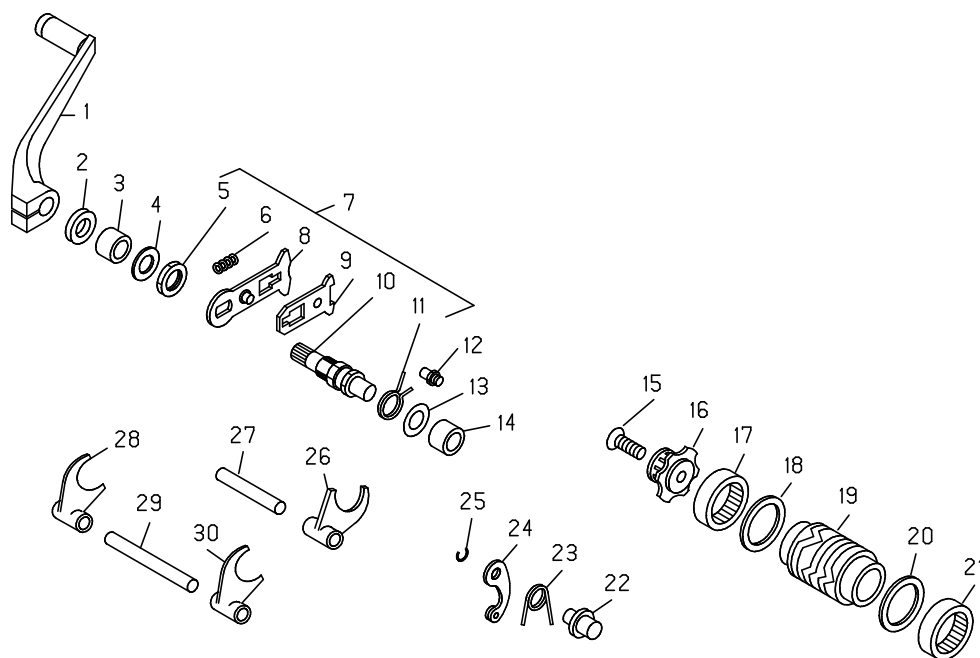


Pos	Number	Descrizione	Description	Description	Beschreibung	Descripción
20	18-82641	Ingranaggio pompa acqua	Water pump gear	Engrange pompe eau	Wasserpumpeantrieb	Engranage bomba agua
21	10-27740	Albero pompa acqua	Counter shaft	Arbre pompe eau	Wasserpumpenwelle	Ciguenal bomba agua
22	27-84100	Rullino 6x12 per forchette	Straight roller 6x12	Molette 6x12	Kegelrolle	Rodillo 6x12
23	12-93420	Cuscinetto 10x22x6	Ball bearing 10x22x6	Roulement 10x22x6	Kugellager 10x22x6	Cojinete 10x22x6
24	12-93410	Cuscinetto 10x22x6 2RS1	Ball bearing 10x22x6 2RS1	Roulement 10x22x6 2RS1	Kugellager 10x22x6 2RS1	Cojinete 10x22x6 2RS1
25	10-44610	Anello paraolio 10x18x4	Oil seal 10x18x4	Joint spy 10x18x4	Wedi 10x18x4	Junta aceite 10x18x4
26	31-21840	Ventola pompa acqua	Pump fan	Ventilateur pompe eau	Wapurad	Ventola bobam acqua
27	10-67360	Anello OR cop.pompa acqua	Water pump cover OR	OR couvercle pompe eau	O-Ring Wasserpumpenwelle	Junta tapa bomba agua
28	15-15230	Fascetta 15x25	Clamp 15x25	Collier 15x25	Schelle 15x25	Brida 15/25
29	29-15863	Tubo pompa acqua - cilindro	Cylinder water pump hose	Tube pompe cylindre	Kühlerschlauch	Tubo bomba agua-cilindro
30	29-15864	Tubo radiatore - pompa acqua	Water pump radiator tube	Tube radiateur pompe eau	Kühlerschlauch	Tubo refriger. radiador/bomba
31	12-67931-0-67	Coperchio pompa acqua	Pump cover	Couvercle pompe eau	Wasserpumpendeckel	Tapa bomba agua
32	31-30000	Vite brugola 5x16	Screw 5x16	Vis a tete a six pans 5x16	Schraube 5x16	Tornillo
33	31-30490-0-51	Vite TTLIC 6x8 testa 12	Screw 6x8	Vis 6x8	Schraube 6x8	Tornillo
34	16-47500	Guarnizione 6x12x1,5	Gasket 6x12x1,5	Joint 6x12x1,5	Dichtung 6x12x1,5	Junta 6x12x1,5
35	28-22660	Seeger 9E	Seeger 9E	Seeger 9E	Seegerring 9E	Seeger 9E



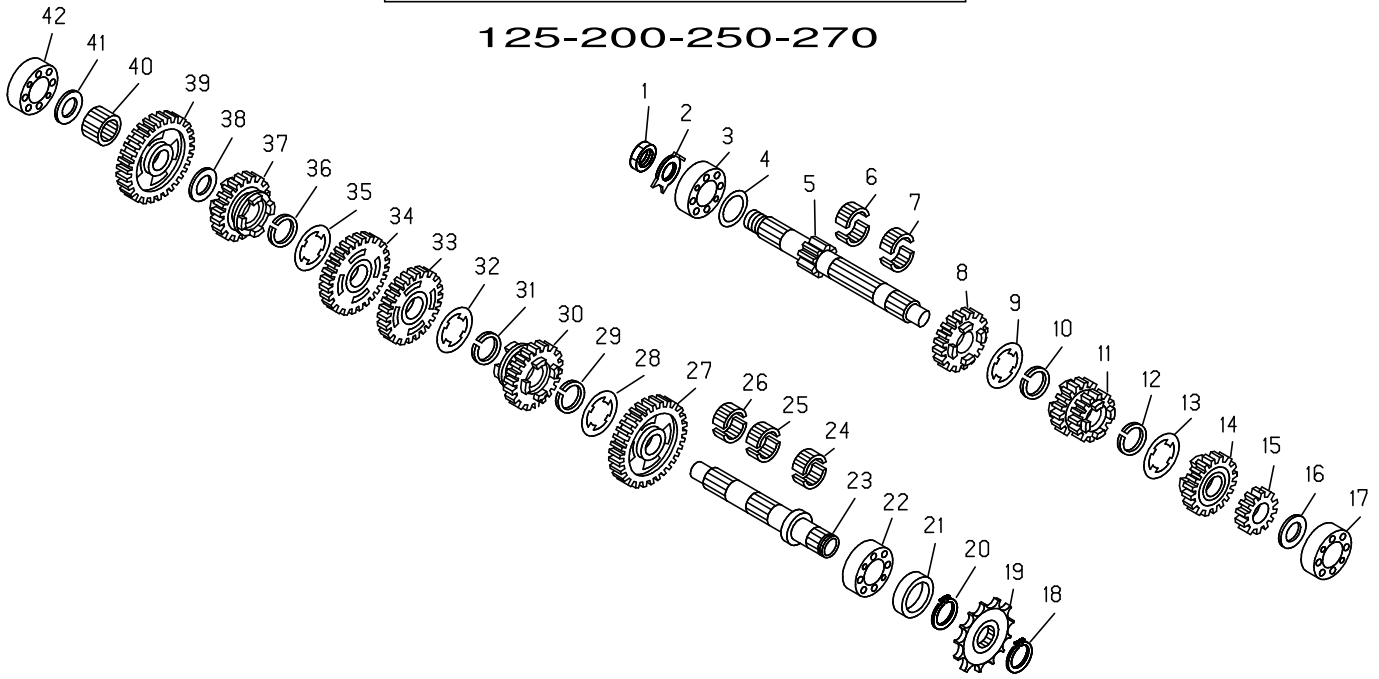
Pos	Number	Descrizione	Description	Description	Beschreibung	Descripción
1	29-07314-8	Trasmissione primaria c/camp.	Primary drive with cup	Transmission primaire a/cloche	Primärtrieb	Trasmissione primaria c/camp.
*	29-07315-8	Trasmissione primaria c/camp.	Primary drive with cup	Transmission primaire a/cloche	Primärtrieb	Trasmissione primaria c/camp.
2	27-73480	Rondella AS 20x35x1	Washer AS 20x35x1	Rondelle AS 20x35x1	Scheibe AS 20x35x1	Arandela AS 20x35x1
3	11-27130	Anello IR 20x25x20,5	Bush 20x25x20,5	Bague interne 20x25x20,5	Buchse 20x25x20,5	Junta 20x25x20,5
4	11-27140	Boccola PAP 2520 P10	Bush PAP 2520 P10	Douille PAP 2520 P10	Buchse PAP 2520 P10	Casquillo PAP 2520 P10
5	13-42962	Disco ritegno silent-block	Blocking disk silent-block	Disque d'arret silent-block	Haltescheibe Silent-Block	Disco silent-block
6	28-91840	Silent-block frizione	Silent-block	Silent-block embrayage	Silent -Block	Silent-block embrague
7	27-31642	Ribattino 5x15 TSP frizione	Rivet 5x15 TSP	Rivet 5x15 TSP embrayage	Niete	Rebatino 5x15 TSP embrague
8	12-20782	Campana frizione	Clutch housing	Cloche embrayage	Kupplungskorb	Camapna embrague
9	27-65890	Rondella spec. Tamburino	Special washer	Rondelle speciale	Spezialscheibe	Arandela esp.
10	29-09621	Tamburino frizione	Clutch center	Barillet d'embrayage	Kupplungsmietnehmer	Tambor embrague
11	13-38360	Disco acciaio	Stell plate	Disque acier	Kupplungslamelle Stahl	Disco
12	13-43310	Disco sugherite	Clutch plate	Disque en liege	Lamelle	Disco
13	12-29601	Cappello frizione	Pressure plate	Capuchon embrayage	Druckplatte f. Kupplung	Tapa embrague
14	22-65071	Molla frizione	Clutch spring	Ressort embrayage	Kuppl. Feder	Muelle
15	27-42000	Rondella 6x18	Washer 6x18	Rondelle 6x18	Scheibe 6x18	Arandela 6x18
16	11-48010	Bullone 6x16 ch10 rs	Bolt 6x16	Boulon 6x16 ch10 rs	Bolzen 6x16	Tornillo 6x16 llave 10 rs
17	16-11370	Gabbia reggispinta 15x28x2	Needle bearing 15x28x2	Cage butee 15x28x2	Nadellager 15x28x2	Jaula 15x28x2
18	25-60410	Piattello spingidisco	Special rod	Tournette pousse disque	Spezial Stange	Placa disco
19	28-90210	Sfera ø+ per frizione	Ball ø6	Sphere ø6	Kugel ø6	Bola 6
20	10-88258	Asta comando frizione	Clutch rod	Tige d'embray	Stange Kupplungsbetätigung	Varilla mando embrague
21	10-66700	Anello OR 29,32x1,5	OR 29,32x1,5	OR 29,32x1,5	Wedi 29,32x1,5	Junta torica 29,32x1,5
22	28-91050	Sfiato aria pinza posteriore	Rear pliers bleed	Event air pince arriere	hi Zange Entlüftung	Aliento aire
23	11-65030	Bullone sfiato compl.pomp/friz.	Breather pipe	Boulon event compl. pompe	Hohlschraube mit Entlüftungsnip.	Tornillo bomba/embrague
24	31-29910	Vite brugola 5x12	Screw 5x12	Vis a tete a six pans 5x12	Schraube 5x12	Tornillo
25	12-91890-9-57	Corpo pompa nudo ø28	Clutch pump cover ø28	Corps pompe nud ø28	Kupplungsnehmerzylinder 28	Protector bobma nudo 28
26	10-66520	Anello OR 23,52x1,78	OR 23,52x1,78	OR 23,52x1,78	Wedi 23,52x1,78	Junta 23,52x1,78
27	10-66510	Anello OR 21,89x2,62	OR 21,89x2,62	OR 21,89x2,62	Wedi 21,89x2,62	Junta 21,89x2,62
28	25-86930	Pistone completo ø28 com.friz.	Clutch pump piston	Piston comp. ø28 comm.embr.	Kuppl. Pumpe Kolben	Piston compl.28 mando embr.
29	12-91890-0-57	Corpo pompa con pistone ø28	Clutch pump assy ø28	Corps pompe avec pist. Ø28	Pumpe mit Kolben	Protector bomba con piston

* Per motore / For engine / Pour le moteur / Betrifft den motor / Por el motor / 125cc e 200cc



Pos	Number	Descrizione	Description	Description	Beschreibung	Descripción
1	21-21150	Leva comando cambio	Shift lever	Levier boite a vitesse	Schalthebel	Palanca mando cambio
2	10-48000	Anello paraolio 12x22x5	Oil seal 12x22x5	Joint spy 12x22x5	Wedi 12x22x5	Junta aceite 12x22x5
3	11-22200	Boccola a rulli 12x18x12	Needle bearing 12x18x12	Douille a roulements 12x18x12	Nadellager 12x18x12	Cojinete 12x18x12
4	27-60000	Rondella spess. 12x22	Washer 12x22	Rondelle epaisseur 12x22	Scheibe 12x22	Arandela 12x22
5	13-29520	Dado spec. 16x1,25x6 ch22	Special nut 16x1,25x6 ch22	Ecrou spec. 16x1,25x6 ch22	Schwinge spezial Mutter	Tuerca esp. 16x1,25x6 llave 22
6	22-68010	Molla ventaglio	Spring shift	Ressort eventail	Schaltfeder	Muelle
7	10-13182-8	Albero com. cambio compl.	Complete selector shaft	Abre bolite à vitesses compl.	Schaltwelle kpl.	Ciguenal mando cambio comp.
8	31-20970-8	Ventaglio fisso con perno	Shift control fork assy	Eventail avec pivot	Schaltautomat	Abanico
9	31-20980-8	Ventaglio scorrevole con perno	Sliding hift control fork assy	Eventail coulissanr avec pivot	Schaltautomat	Abanico con eje
10	10-13182	Albero com. cambio	Selector shaft	Abre bolite à vitesses	Kpl. Schaltwelle	Ciguenal mando cambio
11	22-72020	Molla ritorno albero cc	Selector spring	Ressort retour arbre boite a vit.	Feder Schaltung	Muelle
12	25-45231	Perno richiamo molla selettore	Pin for returning spring	Pivot rappel resoort selecteur	Pin Rückstellfed. Schaltaut.	Eje muelle selector
13	27-60000	Rondella spess. 12x22	Washer 12x22	Rondelle epaisseur 12x22	Scheibe 12x22	Arandela 12x22
14	11-22200	Boccola a rulli 12x18x12	Needle bearing 12x18x12	Douille a roulements 12x18x12	Nadellager 12x18x12	Cojinete 12x18x12
15	31-30510	Vite 6x30 TSPCE	Screw 6x30 TSPCE	Vis 6x30 TEPCH	Schraube 6x30 TSPCE	Tornillo
16	12-19100	Camma arresto marce	Top Cam	Came d'arret marche	Schaltwalze	Camma cambio
17	11-23400	Boccola a rulli 30x37x12	Needle bearing 30x37x12	Douille a roulements 30x37x12	Nadellager 30x37x12	Cojinete 30x37x12
18	27-74250	Rondella spess. 30x40x0,5	Washer 30x40x0,5	Rondelle epaisseur 30x40x0,5	Scheibe 30x40x0,5	Arandela 30x40x0,5
19	12-19691	Camma	Cam	Came	Nocke	Camma
20	27-74250	Rondella spess. 30x40x0,5	Washer 30x40x0,5	Rondelle epaisseur 30x40x0,5	Scheibe 30x40x0,5	Arandela 30x40x0,5
21	11-23400	Boccola a rulli 30x37x12	Needle bearing 30x37x12	Douille a roulements 30x37x12	Nadellager 30x37x12	Cojinete 30x37x12
22	25-54430	Perno fiss. leva arresto marce	Pin locating lever	Pivot fixation lever arret marches	Pin	Eje fijacion palanca
23	22-39590	Molla arresto marce	Locating spring	Ressort arret marche	Haltefeder	Muelle
24	21-17010	Leva arresto marce nuda	Locating lever	Levier arret vitesses	Arretierhebel	Palanca nuda
25	28-22700	Seeger 10E	Seeger 10E	Seeger 10E	Seegerring 10E	Seeger 10E
26	15-64590	Forchetta 28,5	Selector fork 28,5	Fourche 28,5	Schaltgabel 28,5	Horquilla 28,5
27	25-51100	Perno guida forchetta 10x60	Selector pin 10x60	Pivot guide fourche 10x60	Schaltgabel Pin 10x60	Eje horquilla 10x60
28	15-64570	Forchetta 34,5	Selector fork 34,5	Fourche 34,5	Schaltgabel 34,5	Horquilla 34,5
29	25-51110	Perno guida forchetta 10x103,5	Selector pin 10x103,5	Pivot guide fourche 10x103,5	Schaltgabel Pin 10x103,5	Eje horquilla 10x103,5
30	15-64550	Forchetta 32,5	Selector fork 32,5	Fourche 32,5	Schaltgabel 32,5	Horquilla 32,5

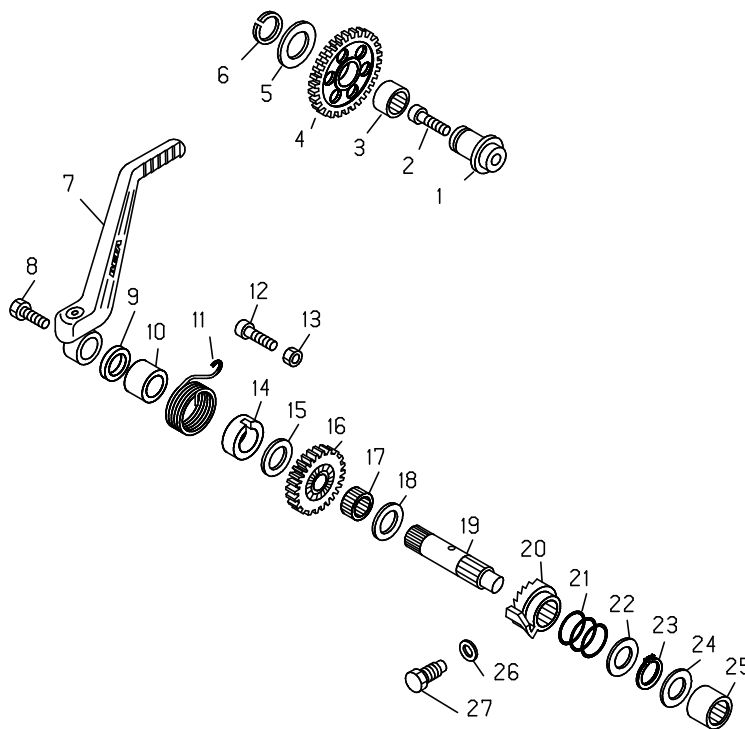
125-200-250-270



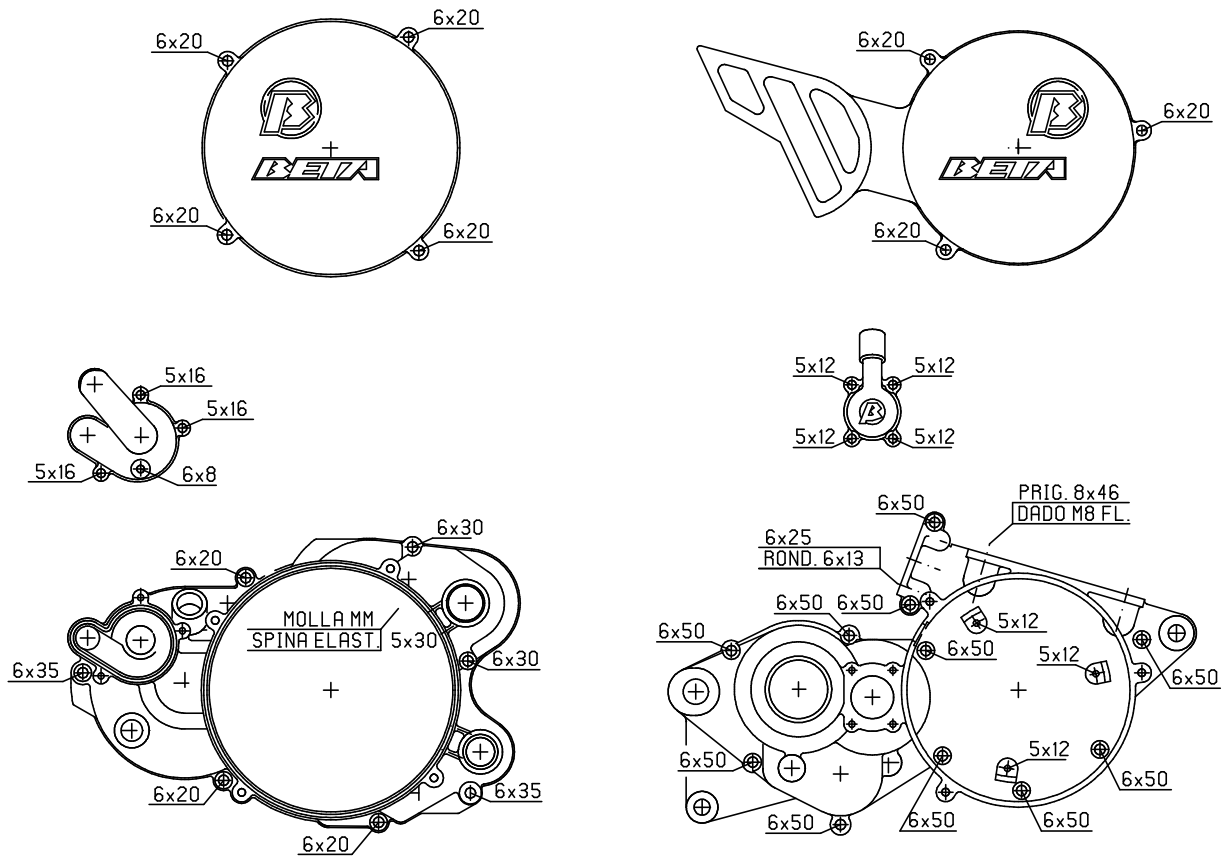
Pos	Number	Descrizione	Description	Description	Beschreibung	Descripción
1	13-28950	Dado spec. 14x1,25x6 ch22	Special nut 16x1,25x7 ch22	Ecrou spec. 14x1,25x6 ch22	Schwinge spezial Mutter	Tuerca esp. 16x1,25x7 llave 22
2	27-74760	Rondella 14 fermadado	Special washer 14	Rondelle 14 seere-ecrou	Sicherungsblech Kupplungsk.	Arandela 14
3	12-99022	Cuscinetto 20x52x15 NTN	Ball bearing 20x52x12 NTN	Roulement 20x52x15 NTN	Lager 20x52x12 NTN	Cojinete 20x52x15 NTN
4	27-73630	Rondella spess. 20x30x0,5	Washer 20x30x0,5	Rondelle epaisseur 20x30x0,5	Scheibe 20x30x0,5	Arandela 20x30x0,5
5	10-23373-8	Albero primario	Main shaft	Arbre primaire	Antriebswelle	Ciguenal
6	16-14870	Gabbia 16x21x10 2pezzi	Needle bearing 16x21x10 2pcs	Cade 16x21x10 2 pieces	Nadellager 16x21x10 2pcs	Jaula 16x21x10 2 piezas
7	16-14870	Gabbia 16x21x10 2pezzi	Needle bearing 16x21x10 2pcs	Cade 16x21x10 2 pieces	Nadellager 16x21x10 2pcs	Jaula 16x21x10 2 piezas
8	18-38491-8	Ingranaggio 5VP	5TH gear mainshaft	Engrange 5 sur 1	5 Gang-Primärwelle	Engranage 5 sobre 1
9	27-73860	Rondella speciale cambio	Special washer	Rondelle spec. boite a vitesse	Beilagscheibe	Arandela esp. Cambio
10	28-25450	Seeger 19SW	Seeger 19SW	Seeger 19SW	Seegerring 19SW	Seeger 19SW
11	18-37730-8	Ingranaggio 3/4VP	3/4 gear mainshaft	Engrange 3/4 sur 1	3/4 Gang-Primärwelle	Engranage 3/4 sobre 1
12	28-25450	Seeger 19SW	Seeger 19SW	Seeger 19SW	Seegerring 19SW	Seeger 19SW
13	27-73860	Rondella speciale cambio	Special washer	Rondelle spec. boite a vitesse	Beilagscheibe	Arandela esp. Cambio
14	18-38771-8	Ingranaggio 6VP	6TH gear mainshaft	Engrange 6 sur 1	6 Gang-Primärwelle	Engranage 6 sobre 1
15	18-32210-8	Ingranaggio 2VP	2ND gear mainshaft	Engrange 2 sur 1	2 Gang-Primärwelle	Engranage 2
16	27-64500	Rondella spess. 15x25	Washer 15x25	Rondelle epaisseur 15x25	Scheibe 15x25	Arandela 15x25
17	12-94000	Cuscinetto 15X35X11	Ball bearing 15X35X11	Roulement 15X35X11	Kugellager 15x35x11	Cojinete 15x35x11
18	28-25400	Seeger 20E	Seeger 20E	Seeger 20E	Seegerring 20E	Seeger 20E
19	25-60840	Pignone catena z.11	Sprocket z.11	Pignon chaine z.11	Ritzel 11z.	Pignon catena z.11
*	25-61061	Pignone catena z.11	Sprocket z.11	Pignon chaine z.11	Ritzel 11z.	Pignon catena z.11
20	28-25400	Seeger 20E	Seeger 20E	Seeger 20E	Seegerring 20E	Seeger 20E
21	10-64050	Anello paraolio 20x37x7	Oil seal 20x37x7	Joint spy 20x37x7	Wedi 20x37x7	Junta aceite 20x37x7
22	12-99022	Cuscinetto 20x52x15 NTN	Ball bearing 20x52x12 NTN	Roulement 20x52x15 NTN	Lager 20x52x12 NTN	Cojinete 20x52x15 NTN
23	10-29371-8	Albero secondario	Layshaft	Arbre secondaire	Antriebswelle	Ciguenal primario
24	16-16570	Gabbia 18x22x10 2pezzi	Needle bearing 18x22x10 2pcs	Cade 18x22x10 2 pieces	Nadellager 18x22x10 2pcs	Jaula 18x22x10 2 piezas
25	16-16570	Gabbia 18x22x10 2pezzi	Needle bearing 18x22x10 2pcs	Cade 18x22x10 2 pieces	Nadellager 18x22x10 2pcs	Jaula 18x22x10 2 piezas
26	16-16570	Gabbia 18x22x10 2pezzi	Needle bearing 18x22x10 2pcs	Cade 18x22x10 2 pieces	Nadellager 18x22x10 2pcs	Jaula 18x22x10 2 piezas
27	18-53121-8	Ingranaggio 2VS	2nd gear layshaft	Engrange 2 sur 2	2 Gang-Zahnrad	Engranage 2 sobre 2
28	27-73870	Rondella speciale cambio	Special washer	Rondelle spec. boite a vitesse	Spezialscheibe	Arandela esp. cambio
29	28-25460	Seeger 20SW	Seeger 20SW	Seeger 20SW	Seegerring 20SW	Seeger 20SW
30	18-67110-8	Ingranaggio 6VS	6TH gear layshaft	Engrange 6 sur 2	6 Gang-Zahnrad	Engranage 6 sobre 2
31	28-25460	Seeger 20SW	Seeger 20SW	Seeger 20SW	Seegerring 20SW	Seeger 20SW
32	27-73870	Rondella speciale cambio	Special washer	Rondelle spec. boite a vitesse	Spezialscheibe	Arandela esp. cambio
33	18-58941-8	Ingranaggio 3VS	3RD gear layshaft	Engrange 3 sur 2	3 Gang-Zahnrad	Engranage 3 sobre 2
34	18-64831-8	Ingranaggio 4VS	4 RD gear layshaft	Engrange 4 sur 2	4 Gang-Zahnrad	Engranage 4 sobre 2
35	27-73870	Rondella speciale cambio	Special washer	Rondelle spec. boite a vitesse	Spezialscheibe	Arandela esp. cambio
36	28-25460	Seeger 20SW	Seeger 20SW	Seeger 20SW	Seegerring 20SW	Seeger 20SW
37	18-66410-8	Ingranaggio 5VS	5TH gear layshaft	Engrange 5 sur 2	5 Gang-Zahnrad	Engranage 5 sobre 2
38	27-73560	Rondella spess. 18x27x0,8	Washer 18x27x0,8	Rondelle epaisseur 18x27x0,8	Scheibe 18x27x0,8	Arandela 18x27x0,8
39	18-43072-8	Ingranaggio 1VS	1STH gear layshaft	Engrange 1 sur 2	1 Gang-Zahnrad	Engranage 1 sobre 2
40	16-16560	Gabbia 18x22x10	Needle bearing 18x22x10	Cade 18x22x10	Nadellager 18x22x10	Jaula 18x22x10
41	27-64500	Rondella spess. 15x25	Washer 15x25	Rondelle epaisseur 15x25	Scheibe 15x25	Arandela 15x25
42	12-94000	Cuscinetto 15X35X11	Ball bearing 15X35X11	Roulement 15X35X11	Kugellager 15x35x11	Cojinete 15x35x11

* Per motore / For engine / Pour le moteur / Betrifft den motor / Por el motor / 125cc





Pos	Number	Descrizione	Description	Description	Beschreibung	Descripción
1	25-53190	Perno per ingr. rinvio mm	Driving gear pin	Pivot engrenage renvoi demarr.	Lagerbolz.freies Kickstarterrad	Eje engranage arranque
2	31-63890	Vite brugola 8x20	Screw 8x20	Vis a tete a six pans 8x20	Schraube 8x20	Tornillo allen tcece 8.20
3	16-16560	Gabbia 18x22x10	Needle bearing 18x22x10	Cade 18x22x10	Nadellager 18x22x10	Jaula 18x22x10
4	18-67823	Ingranaggio rinvio mm	Starter gear	Engrenage de renvoi	Zahnrad	Engranage renvio
5	27-72560	Rondella spess. 18x27	Washer 18x27	Rondelle epaisseur 18x27	Scheibe 18x27	Arandela 18x27
6	28-25300	Seeger 18E	Seeger 18E	Seeger 18E	Seegerring 18E	Seeger 18E
7	21-55161	Leva messa in moto	Kickstarter lever	Levier demarrage	Kickstarter	Palanca arranque
8	11-54521	Bullone 8x16 rs c/rond. ch10	Bolt 8x16 ch10	Boulon 8x16 rs a/rondelle ch10	Schraube 8x16 ch 10	Tornillo 8.16 rs c/arandela
9	10-56015	Anello paraolio 16x22x4	Oil seal 16x22x4	Joiny spy 16x22x4	Wedi 16x22x4	Junta aceite 16x22x4
10	11-31066	Boccola sinterizz. 16x22x12,5	Sintered bush 16x22x12,5	Douille frittee 16x22x12,5	Hülse 16x22x12,5	Casquillo 16x22x12,5
11	22-78972	Molla ritorno leva mm	Kickstarter spring	Ressort de retour	Feder Kickstarter	Muelle
12	31-34510	Vite brugola 6x20	Screw 6x20	Vis a tete a six pans 6x20	Schraube 6x20	Tornillo
13	13-11500	Dado 6x3,5 ch10	Nut 6x3,5	Ecrou 6x3,5 ch10	Mutter 6x3,5	Tuerca 6x3,5 llave 10
14	13-55230	Distanziale messa in moto	Kickstarter spacer	Entretoise demarrage	Distanz Kickstarter	Distanciadador arranque
15	27-67500	Rondella spess. 16x25	Washer 16x25	Rondelle epaisseur 16x25	Scheibe 16x25	Arandela spec. 16.25
16	18-14632-8	Ingranaggio mm	Starter gear	Engrenage demarrage	Zahnrad Kickstarter	Engranage arranque
17	16-14300	Gabbia 16x20x10	Needle bearing 16x20x10	Cade 16x20x10	Nadellager 16x20x10	Jaula 16x20x10
18	27-67500	Rondella spess. 16x25	Washer 16x25	Rondelle epaisseur 16x25	Scheibe 16x25	Arandela spec. 16.25
19	10-15133-8	Albero messa in moto	Starter shaft	Abre demarrage	Kickstarter	Ciguenal arranque
20	22-14111-8	Manicotto mm	Kickstarter sleeve	Douille demarrage	Kickstarter Muffe	Manguito arranque
21	22-36561	Molla per manicotto	Spring	Ressort	Feder	Muelle manguito
22	27-73630	Rondella spess. 20x30x0,5	Washer 20x30x0,5	Rondelle epaisseur 20x30x0,5	Scheibe 20x30x0,5	Arandela 20x30x0,5
23	28-25400	Seeger 20E	Seeger 20E	Seeger 20E	Seegerring 20E	Seeger 20E
24	27-64500	Rondella spess. 15x25	Washer 15x25	Rondelle epaisseur 15x25	Scheibe 15x25	Arandela 15x25
25	11-22400	Boccola a rulli 15x21x12	Needle bearing 15x21x12	Douille a roulements 15x21x12	Nadellager 15x21x12	Cojinete 15x21x12
26	16-52000	Guarnizione 12x16x1,5	Gasket 12x16x1,5	Joint 12x16x1,5	Dichtung 12x16x1,5	Junta 12x16x1,5
27	11-65501	Bullone speciale per manicotto	Special bolt	Boulon spec. Pour douille	Spezialschraube	Tornillo especial



VITI FISSAGGIO CARTER E PARTICOLARI NON FIGURANTI
 CRANKCASE FIXING SCREW AND NOT MENTIONED COMPONENTS
 VIS DE FIXATION CARTER ET PARTICULIERS PAS MENTIONNES
 FESTIGUNGSSCHRAUBENGEHÄUSE UND ANDERE TEILE NICHT VERZEICHNET
 TORNILLOS PARA FISAR EL CARTER Y PARTICULARES NO FIGURADOS

Pos	Number	Descrizione	Description	Description	Beschreibung	Descripción
	12-00735-8	Cambio completo	Complete gearbox	Boite a vitesses complet	Getriebe kpl.	Cambio completo
	20-00211	Kit livello benzina	Level fuel kit	Jeu niveau essence	Satz stand Benzin	Juego nivel gasolina
	22-05053-8	Messa in moto compl.vendita	Complete kickstarter	Demarrage complet vente	Kickstarter kpl.	Arranque completo
	28-06871-8	Serie anelli paraolio	Kit oil seal	Jeu bagues spy	Satz Wellendichtringe	Juego juntas aceite
	28-08082-8	Serie guarnizioni 125cc	Kit gasket 125cc	Jeu joint 125cc	Dichtsatz 125cc	Juego guarnicion 125cc
	28-08083-8	Serie guarnizioni 250cc	Kit gasket 250cc	Jeu joint 250cc	Dichtsatz 250cc	Juego guarnicion 250cc
	28-08084-8	Serie guarnizioni 270cc	Kit gasket 270cc	Jeu joint 270cc	Dichtsatz 270cc	Juego guarnicion 270cc
	28-08085-8	Serie guarnizioni 200cc	Kit gasket 200cc	Jeu joint 200cc	Dichtsatz 200cc	Juego guarnicion 200cc